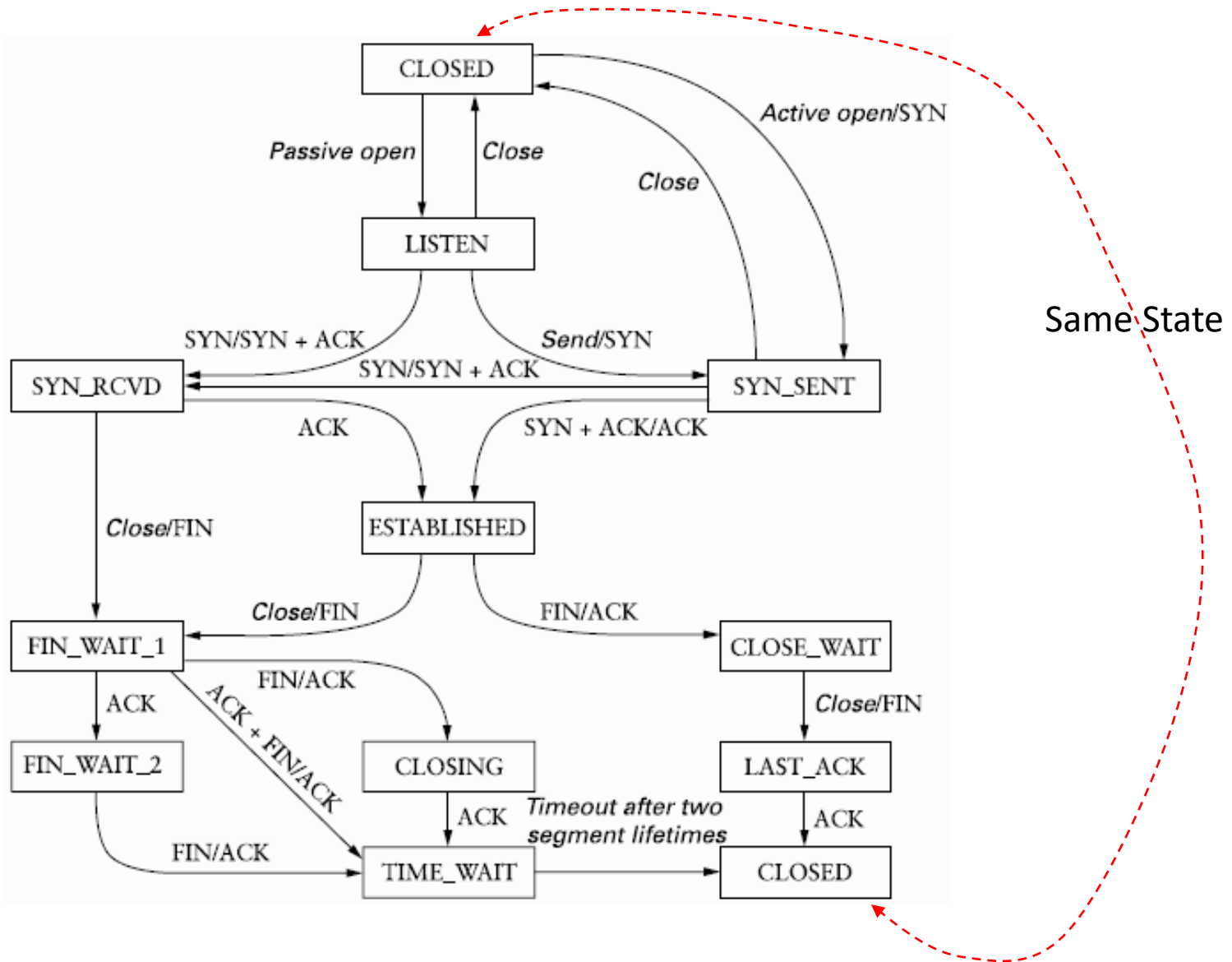


TCP State Transition Diagram

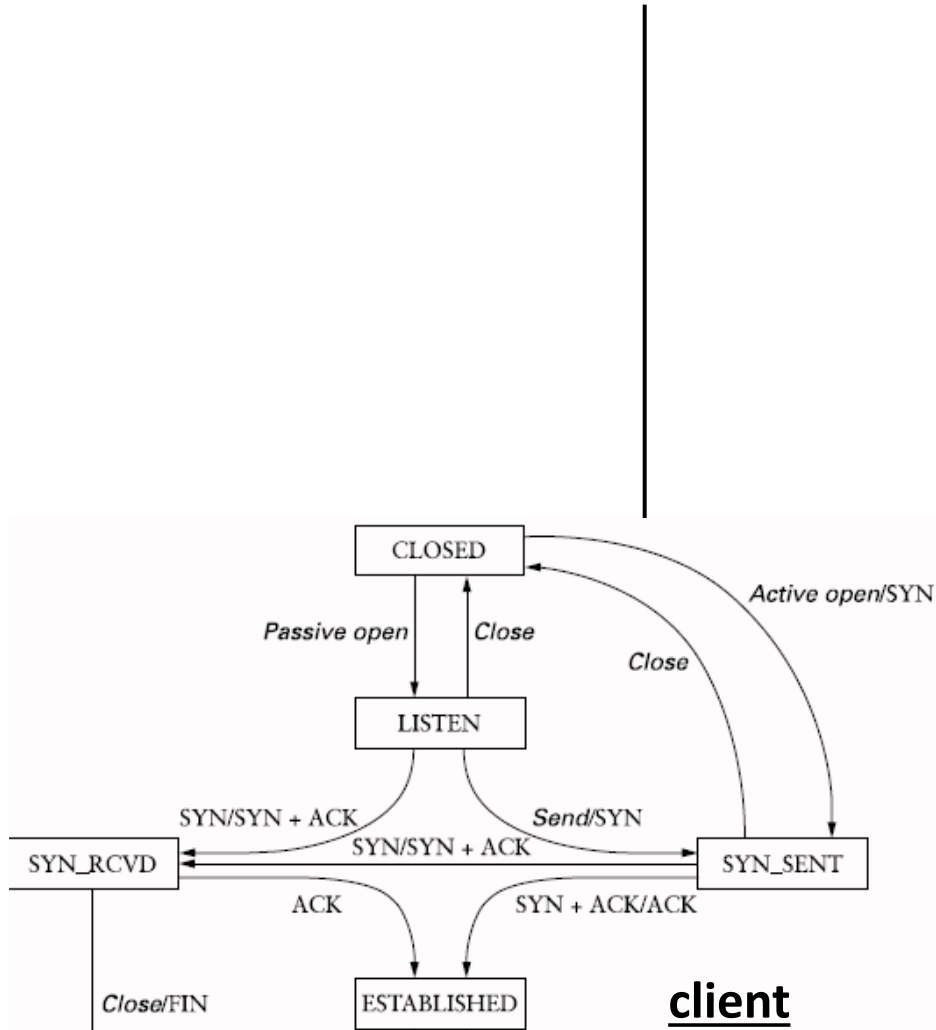


Connection Establishment and State Transition

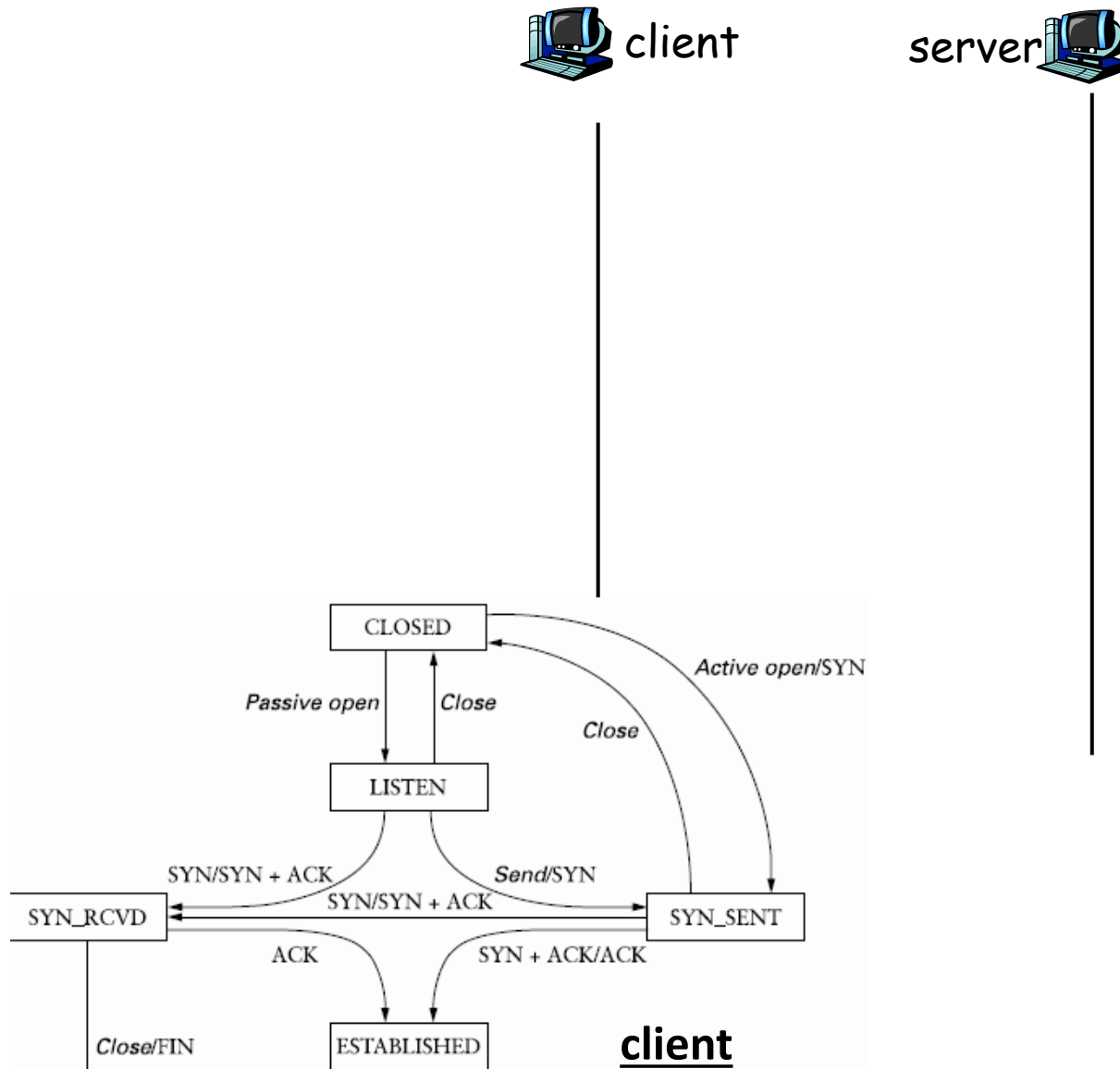
Connection Establishment and State Transition



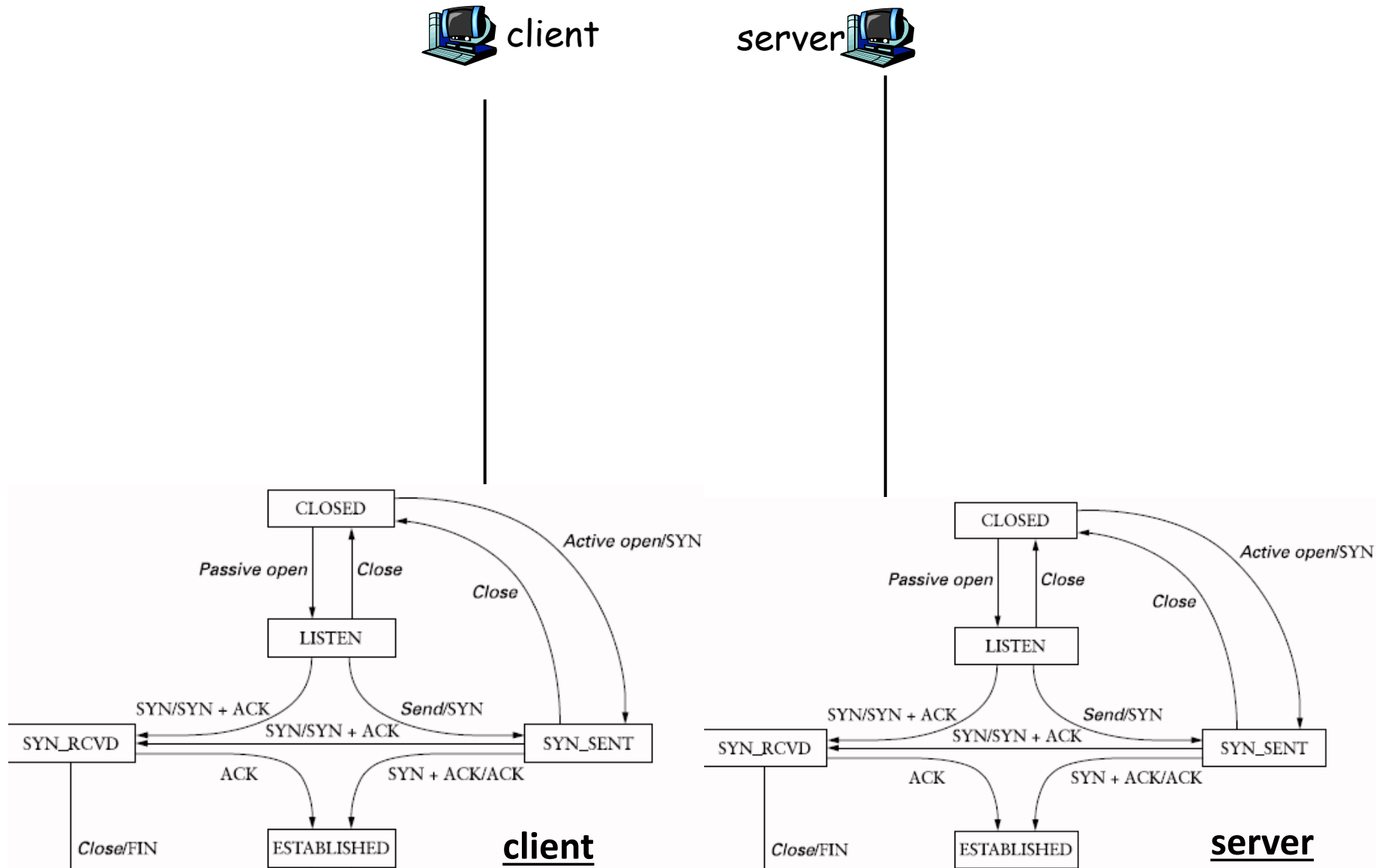
Connection Establishment and State Transition




Connection Establishment and State Transition



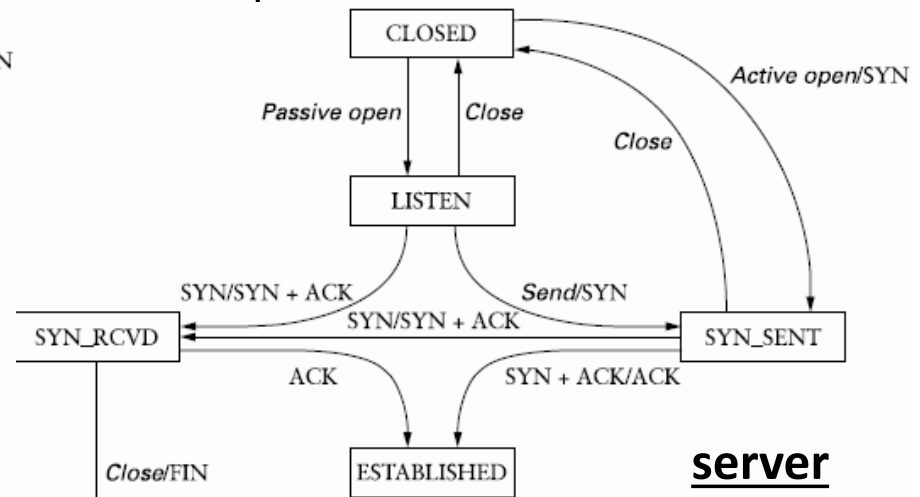
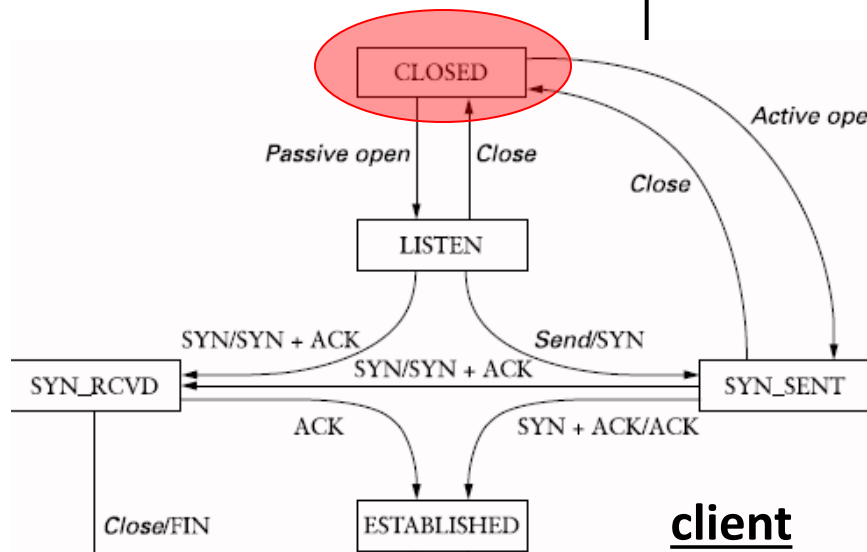
Connection Establishment and State Transition



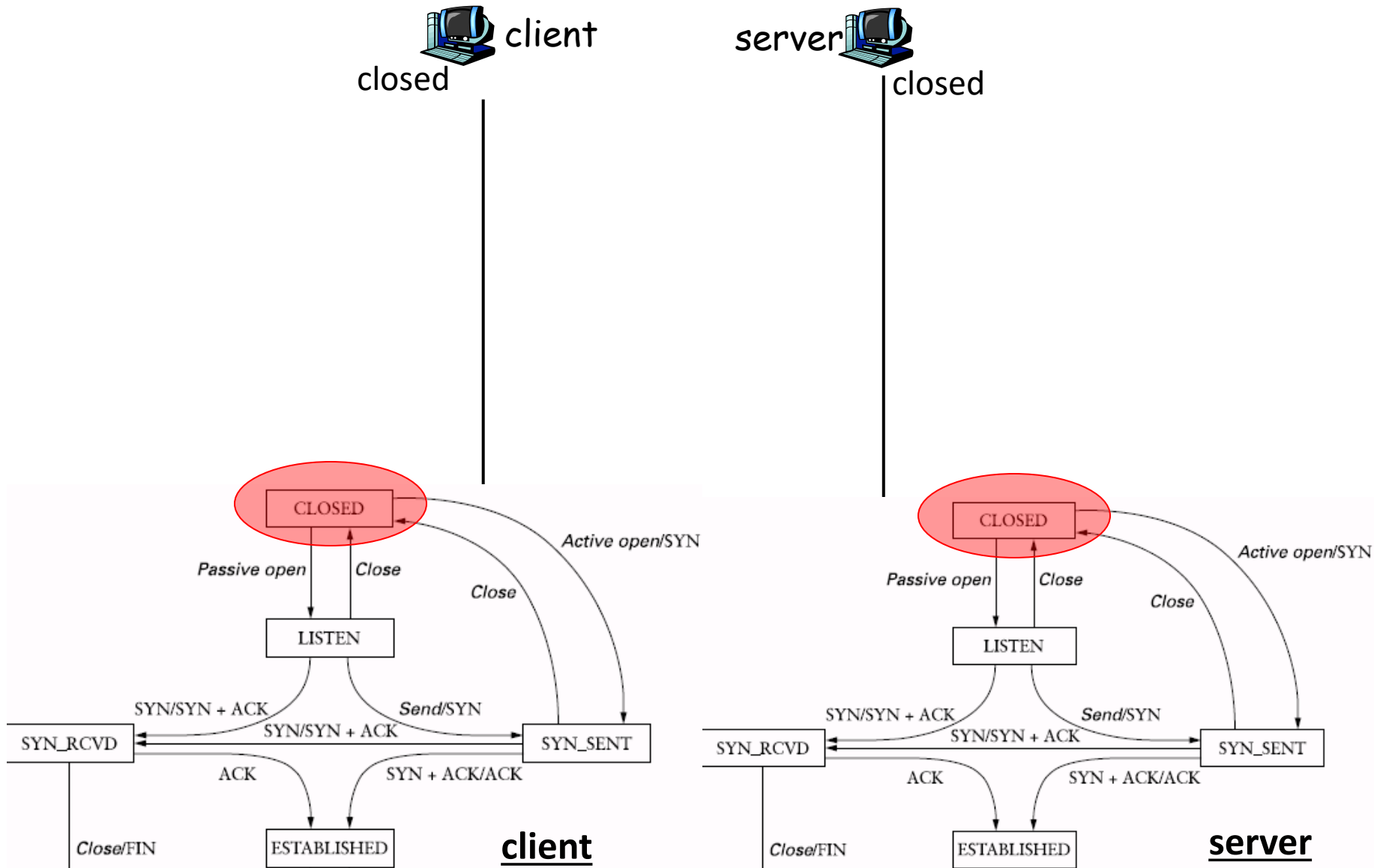
Connection Establishment and State Transition

 client
closed

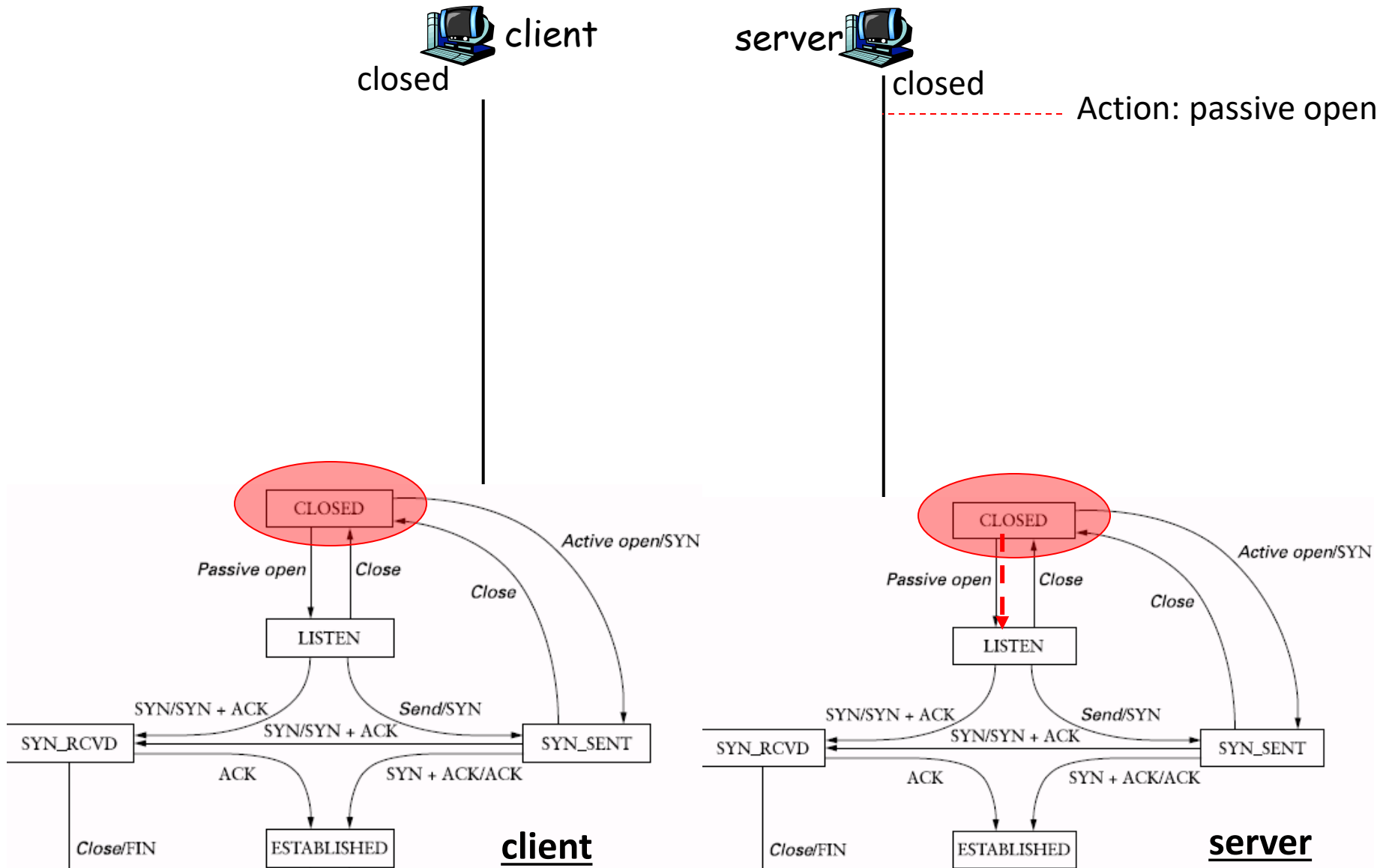
server 




Connection Establishment and State Transition




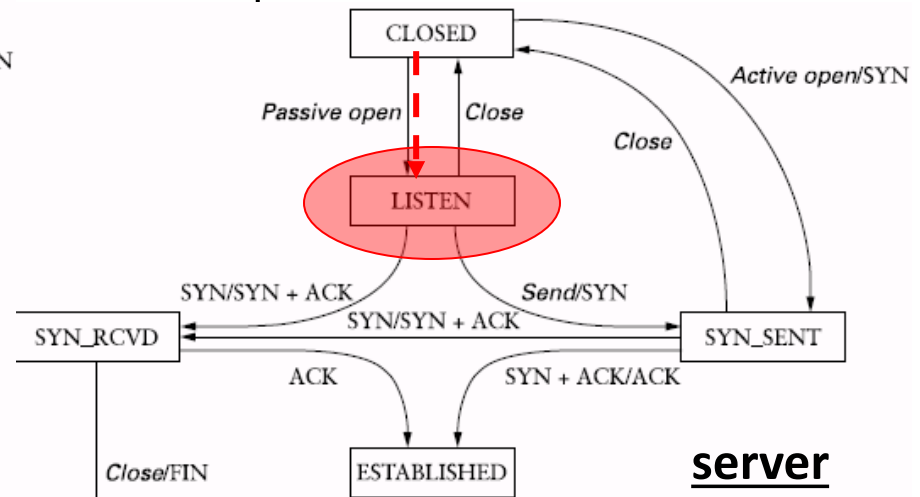
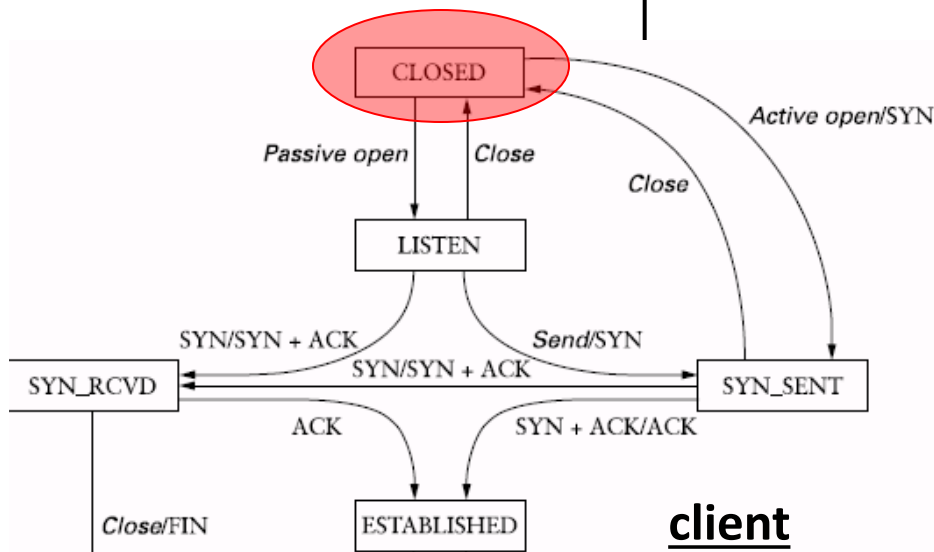
Connection Establishment and State Transition



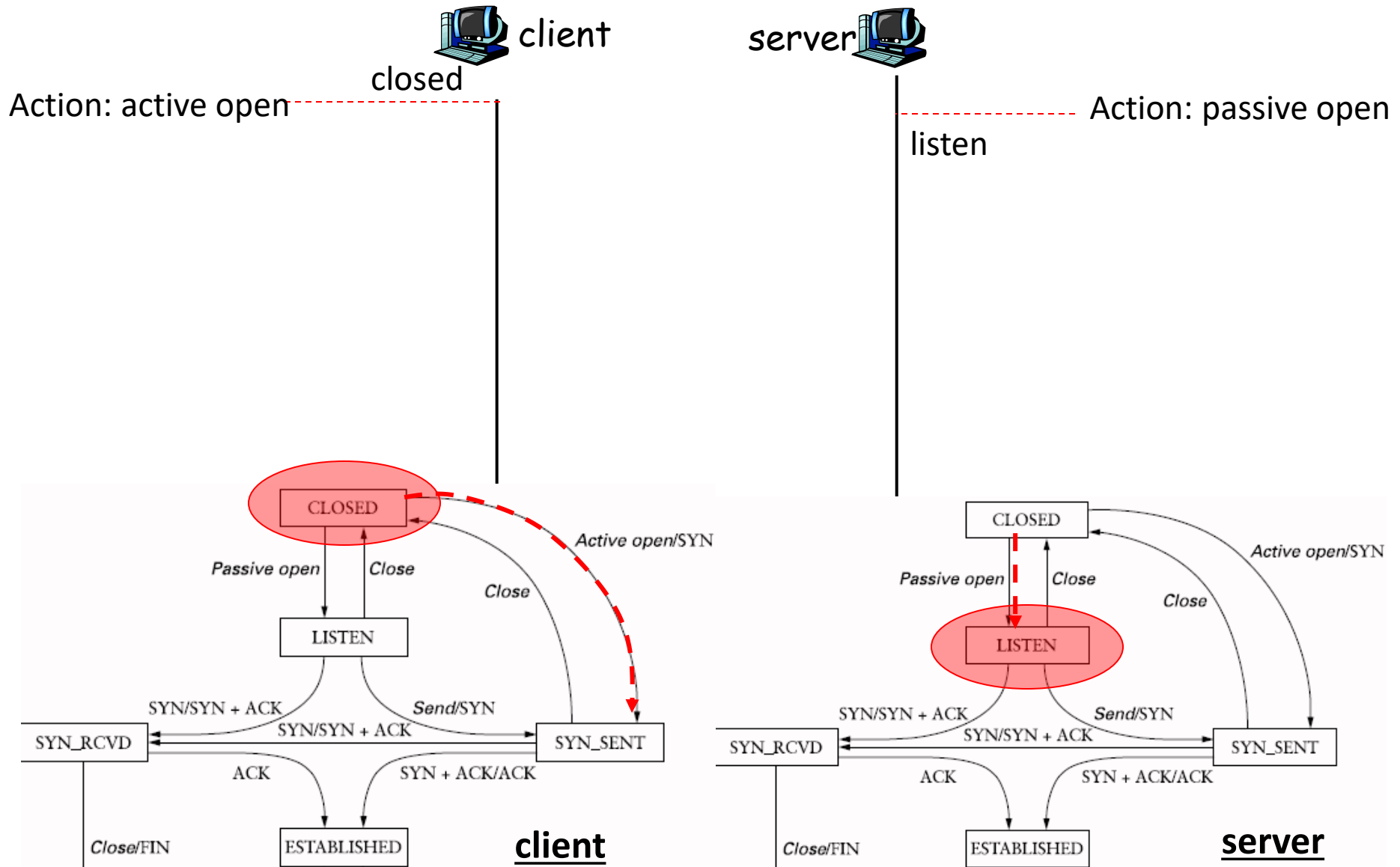
Connection Establishment and State Transition

 **client**
closed

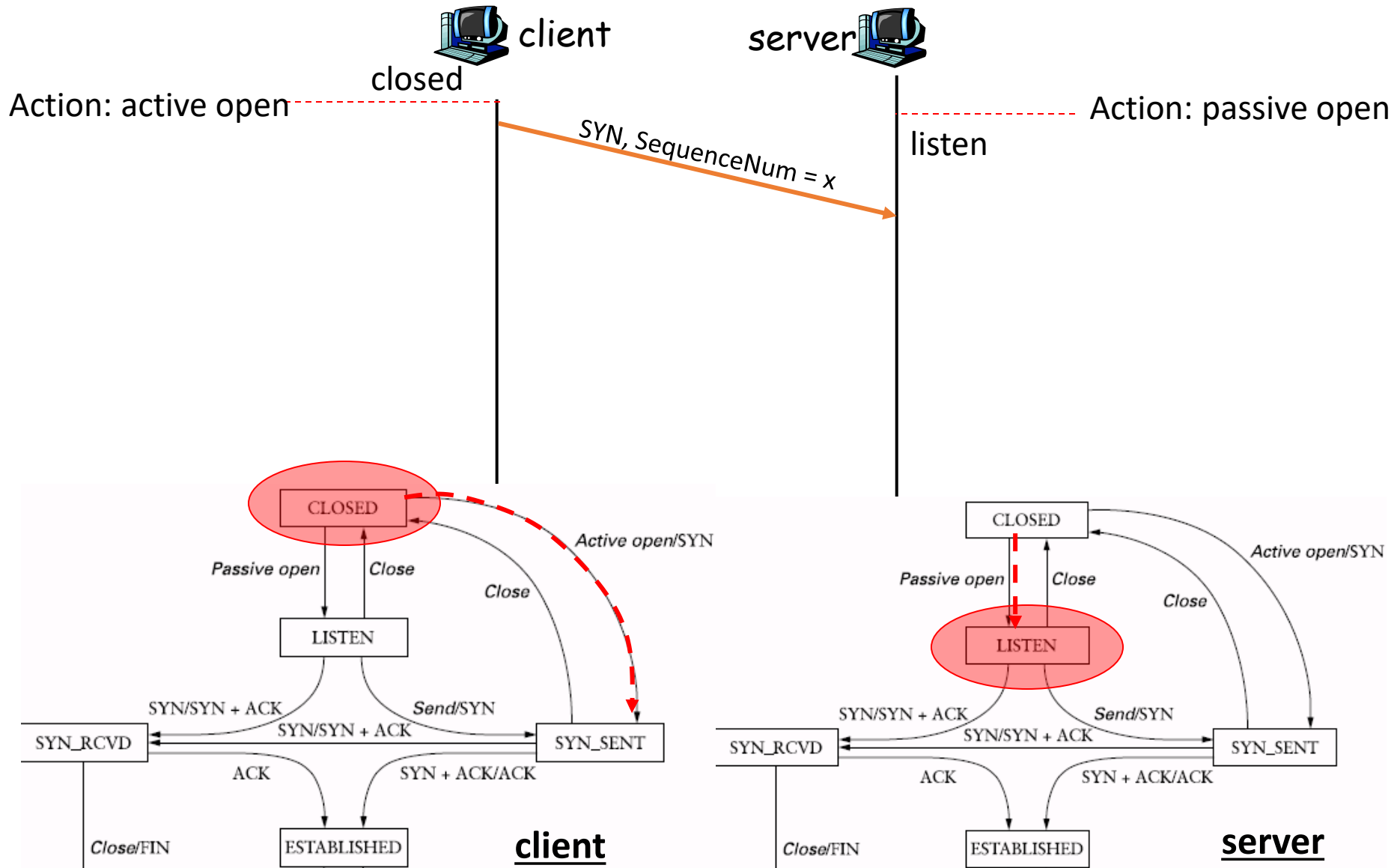
server 
listen Action: passive open



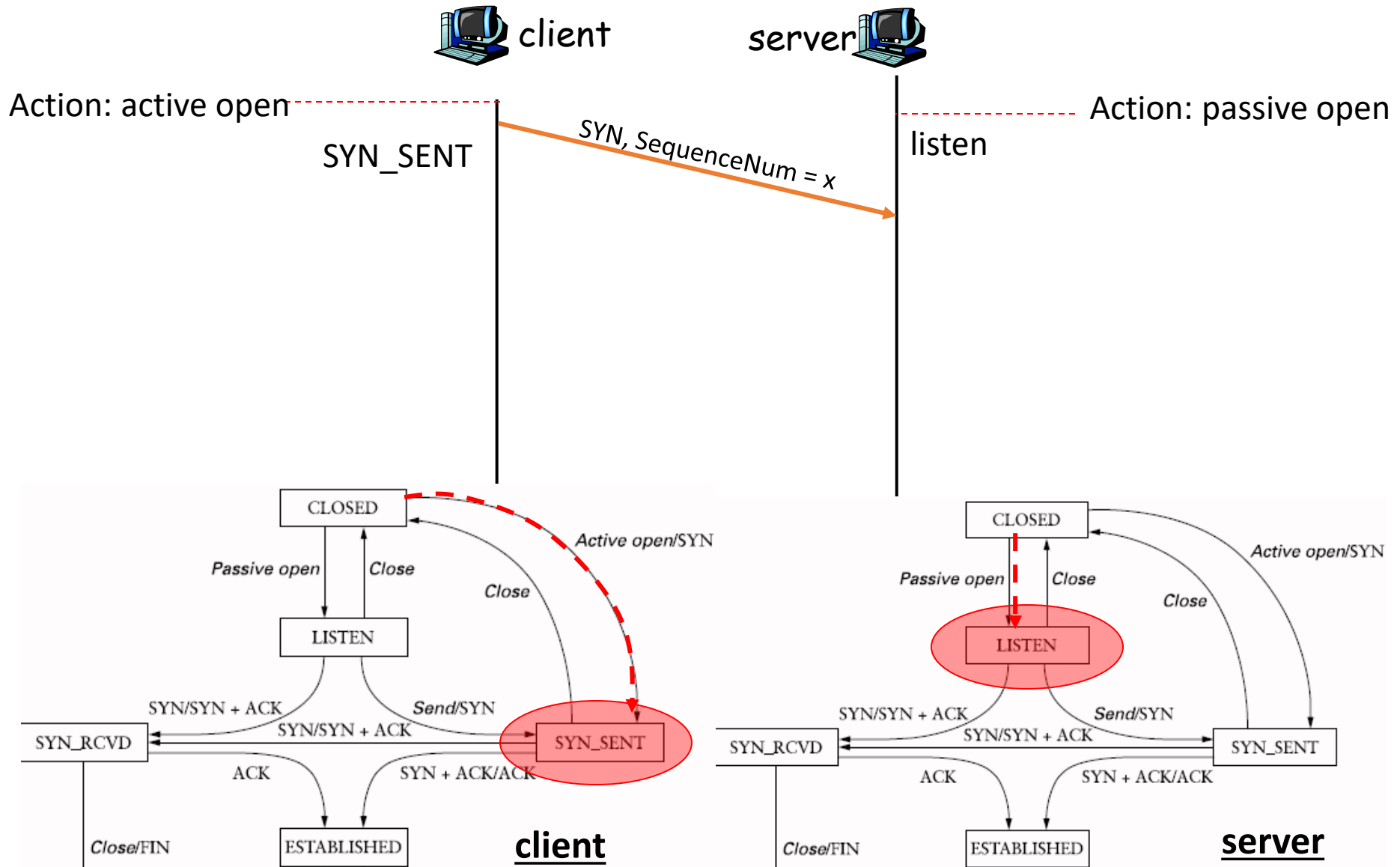
Connection Establishment and State Transition



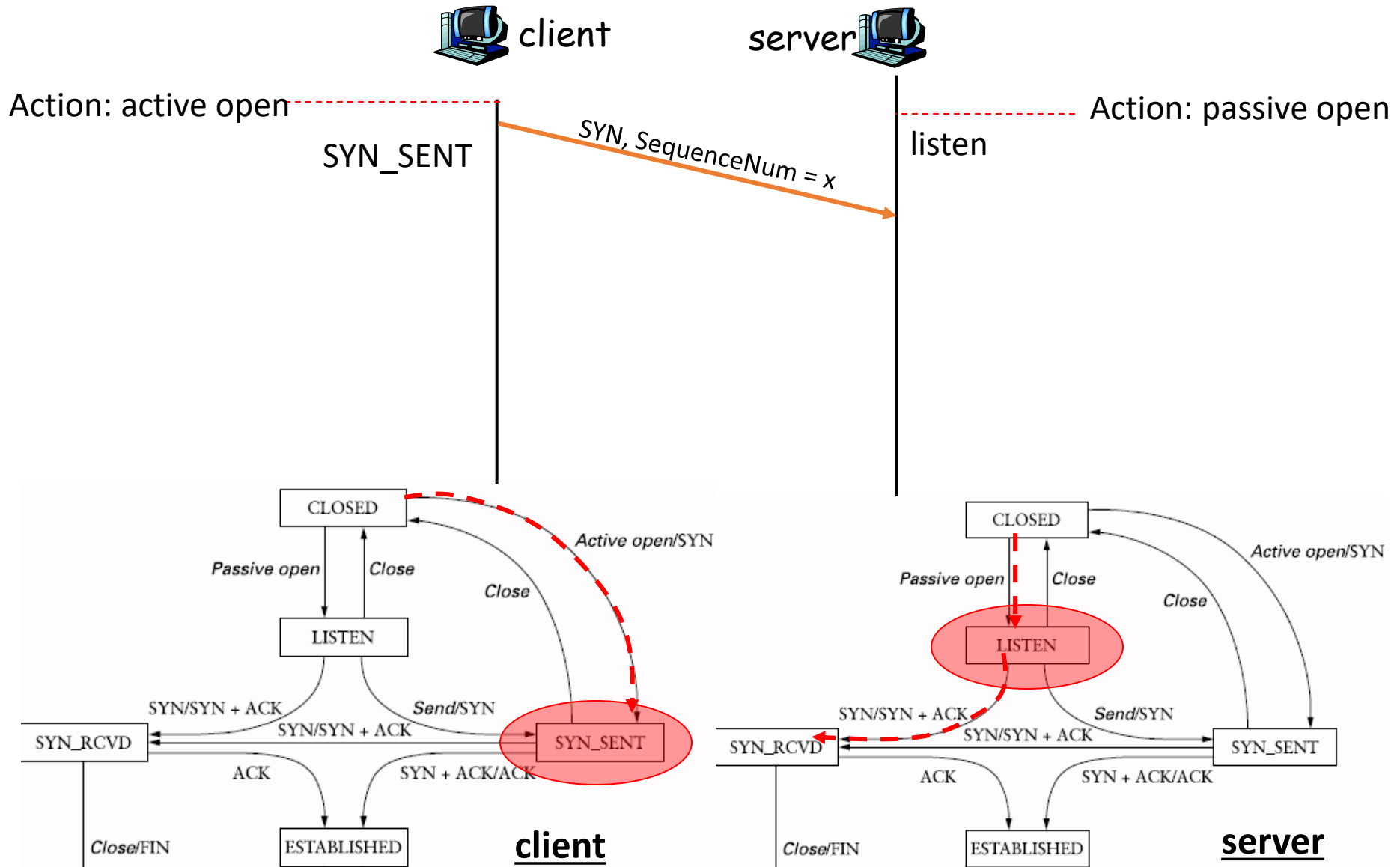
Connection Establishment and State Transition



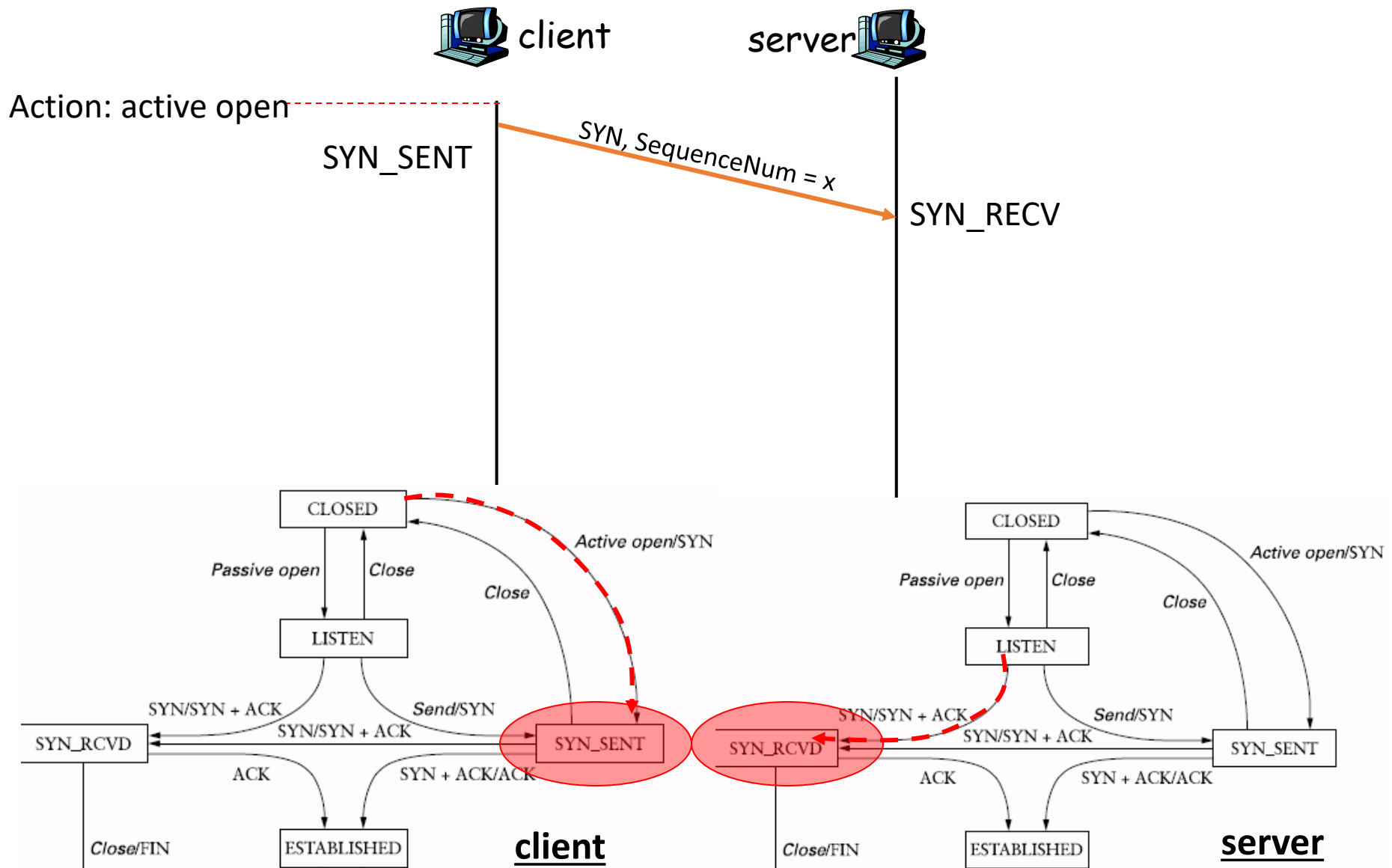
Connection Establishment and State Transition



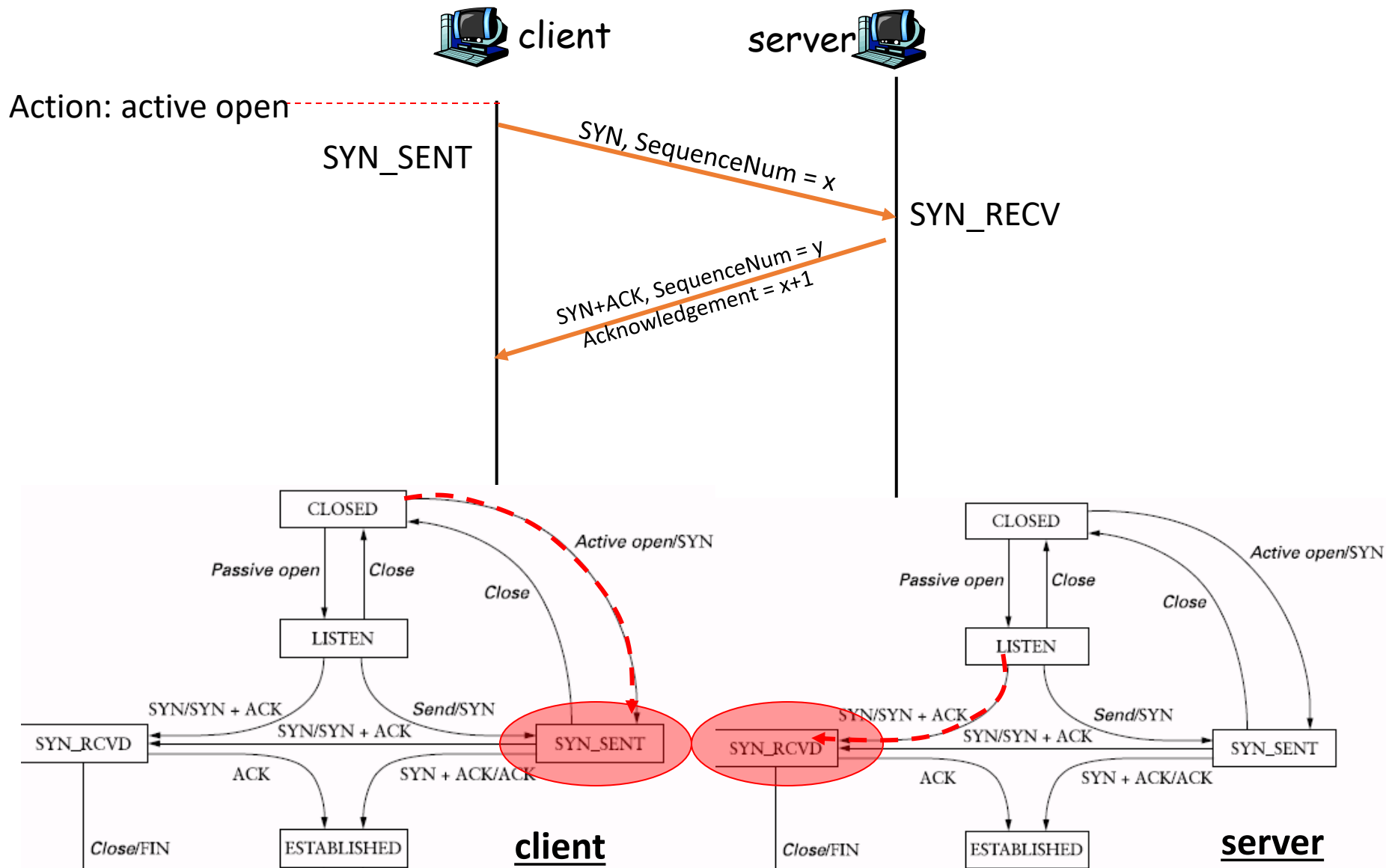
Connection Establishment and State Transition



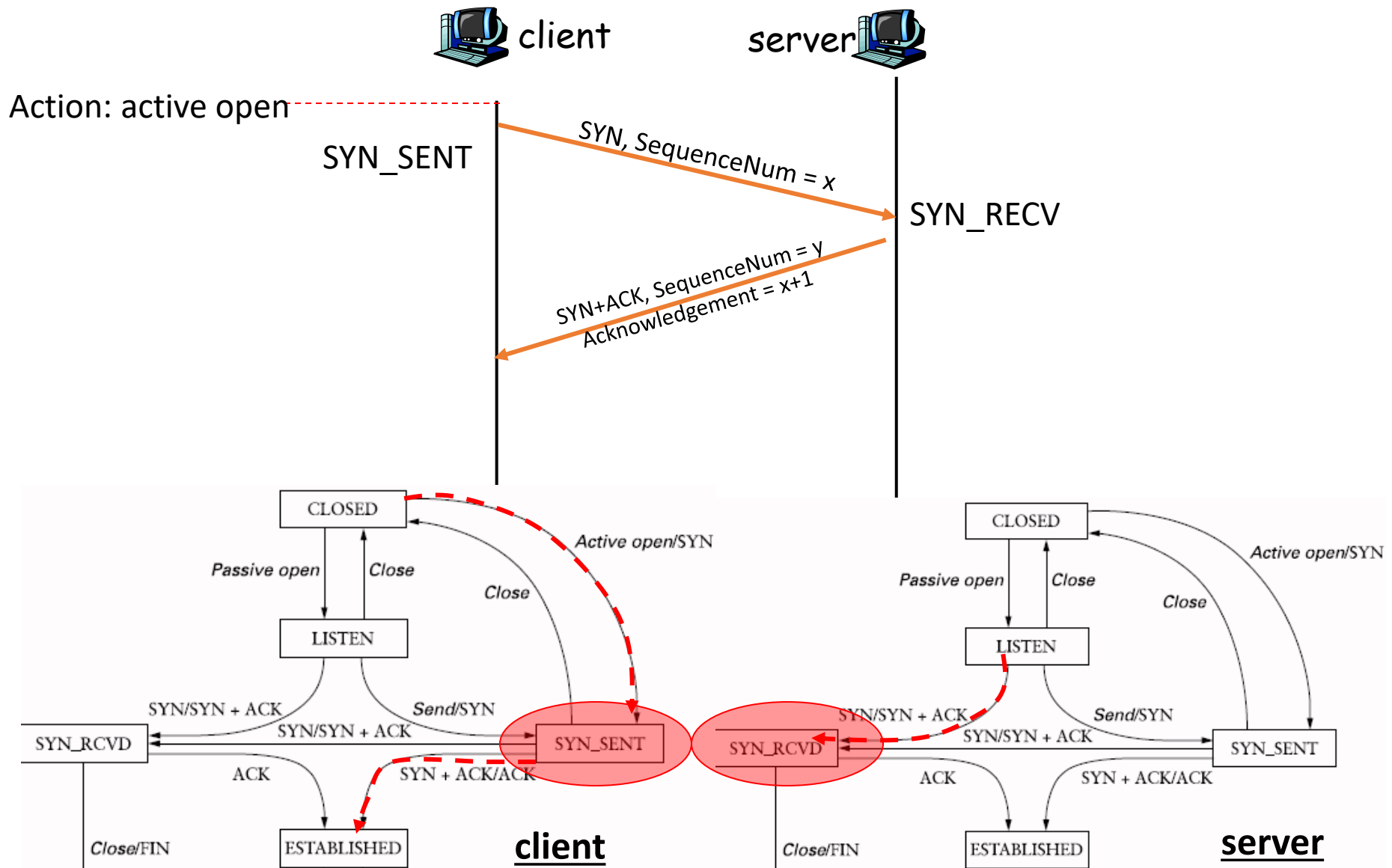
Connection Establishment and State Transition



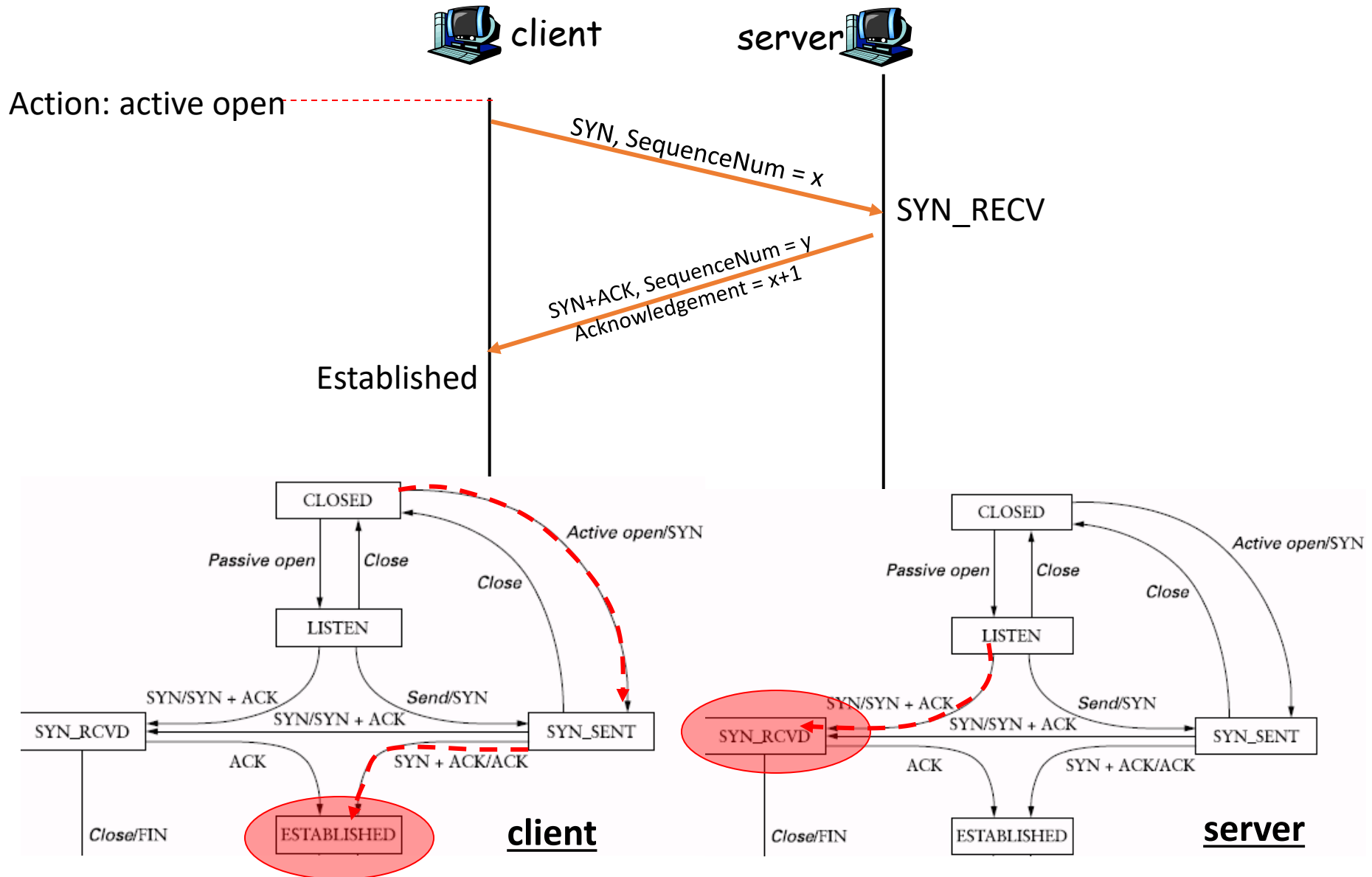
Connection Establishment and State Transition



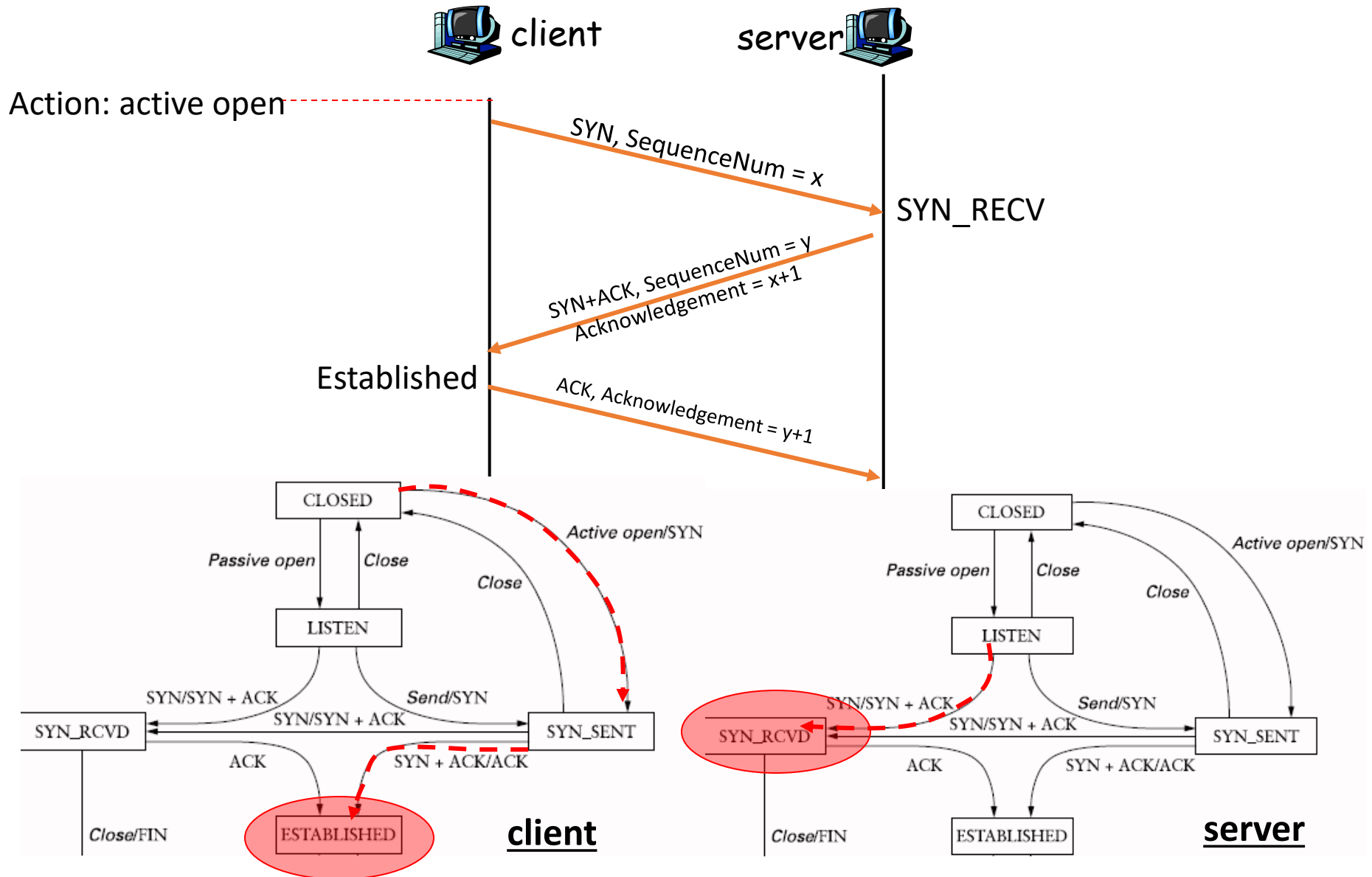
Connection Establishment and State Transition



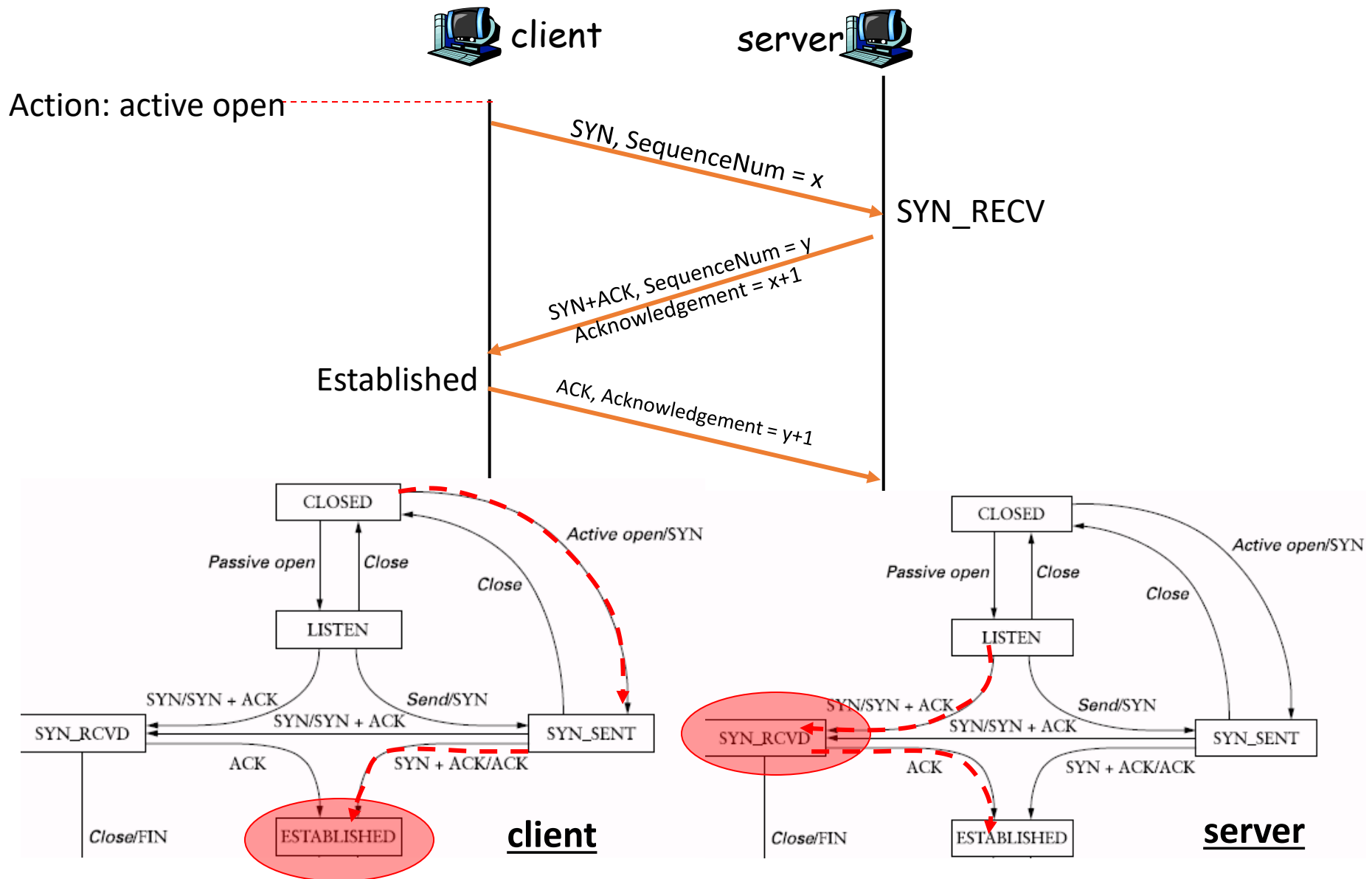
Connection Establishment and State Transition



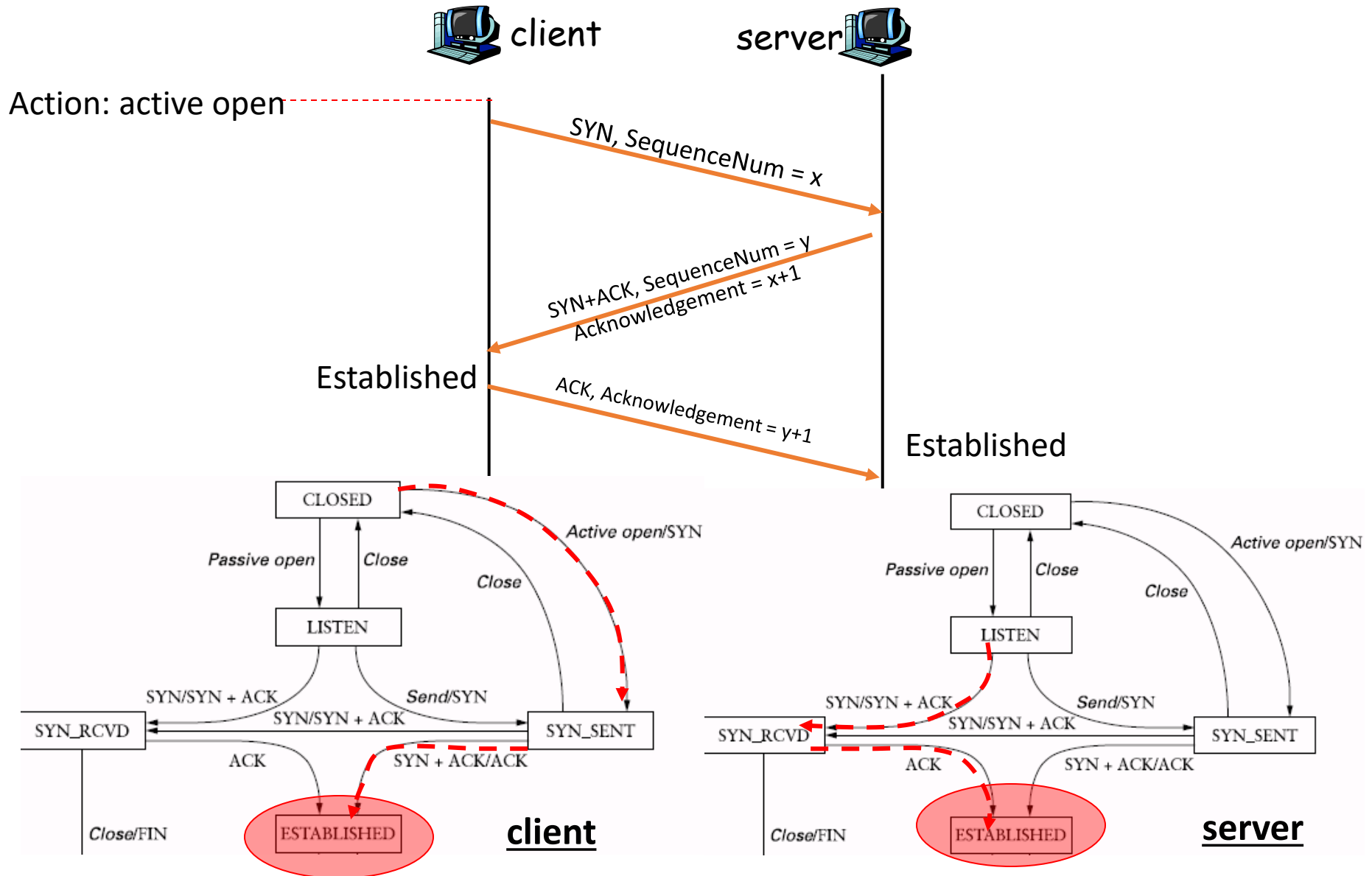
Connection Establishment and State Transition



Connection Establishment and State Transition



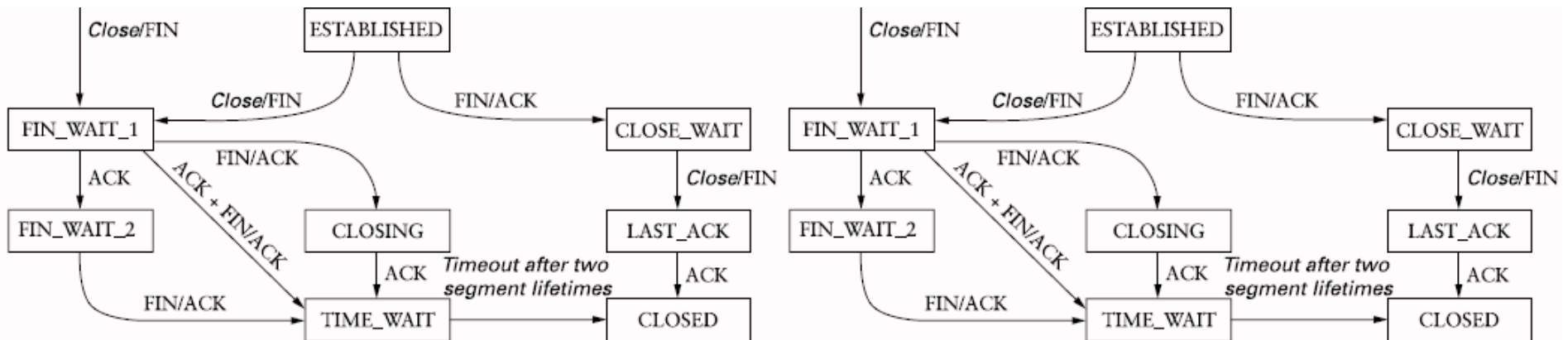
Connection Establishment and State Transition



Connection Termination and State Transition (1)



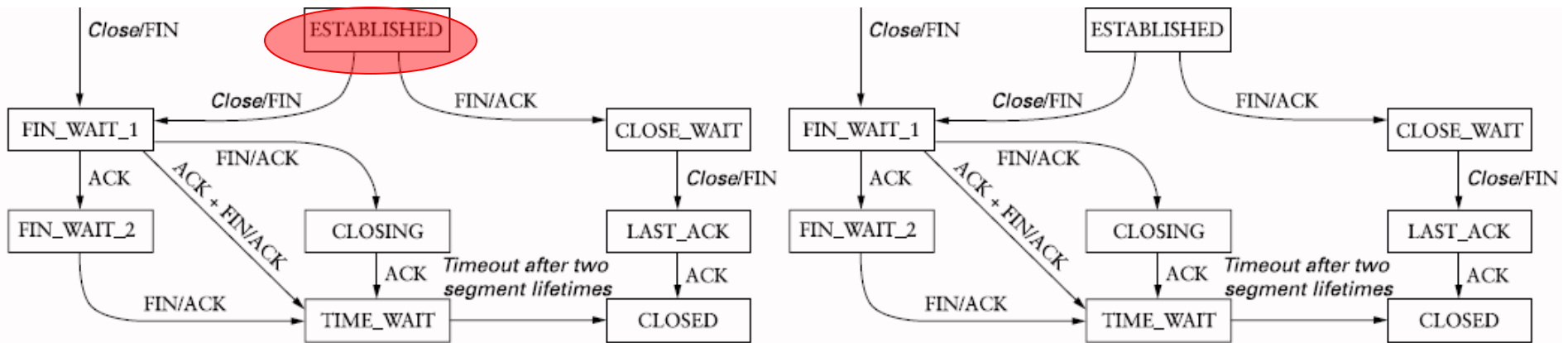
Client closes first



Connection Termination and State Transition (1)



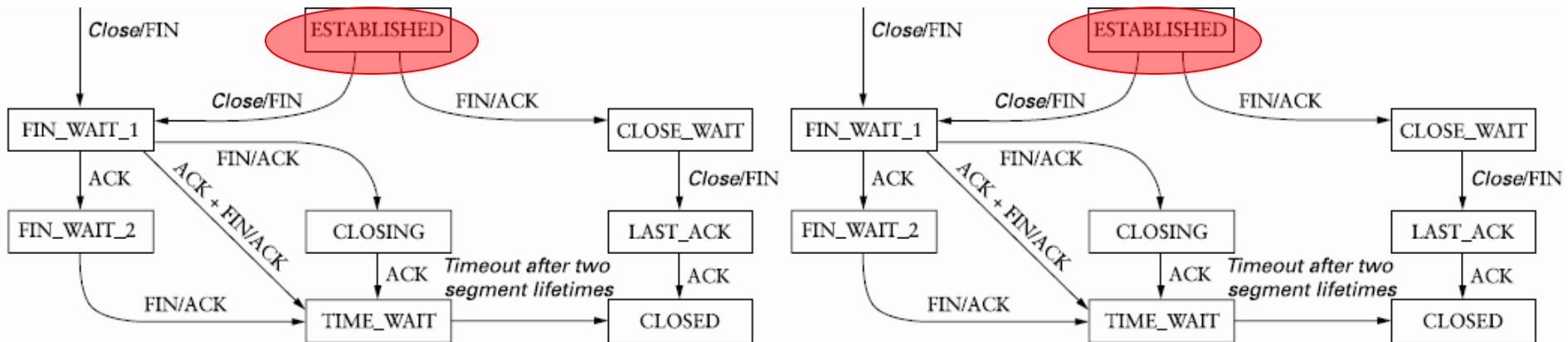
Client closes first



Connection Termination and State Transition (1)



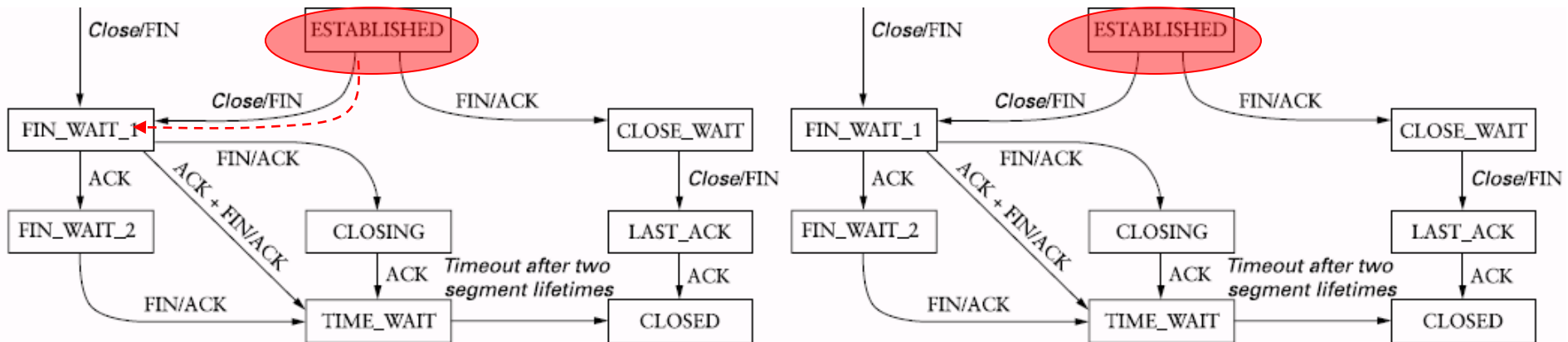
Client closes first



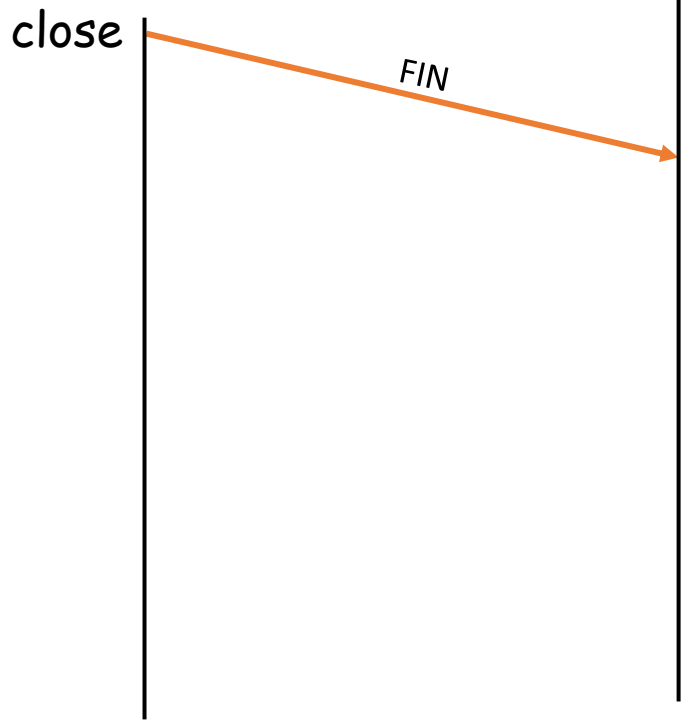
Connection Termination and State Transition (1)



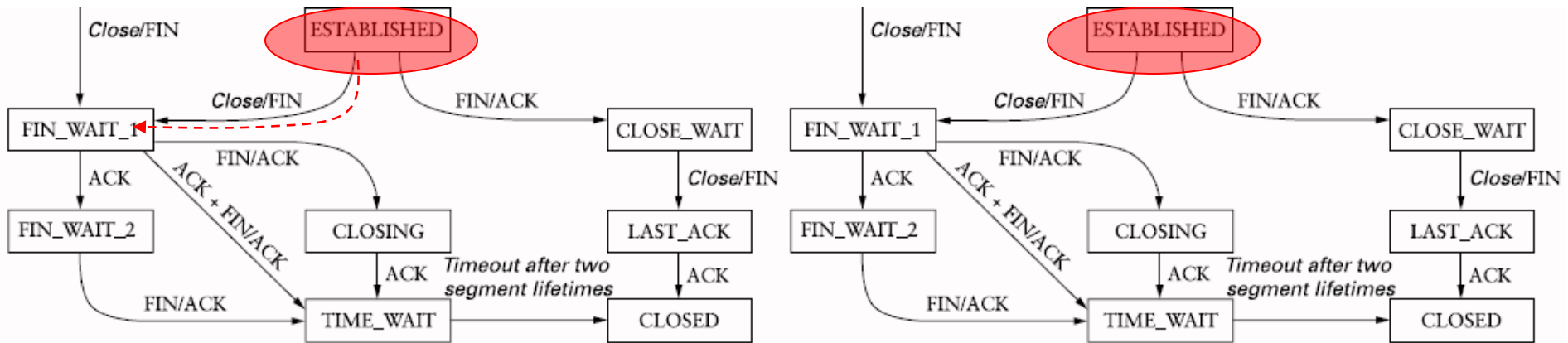
Client closes first



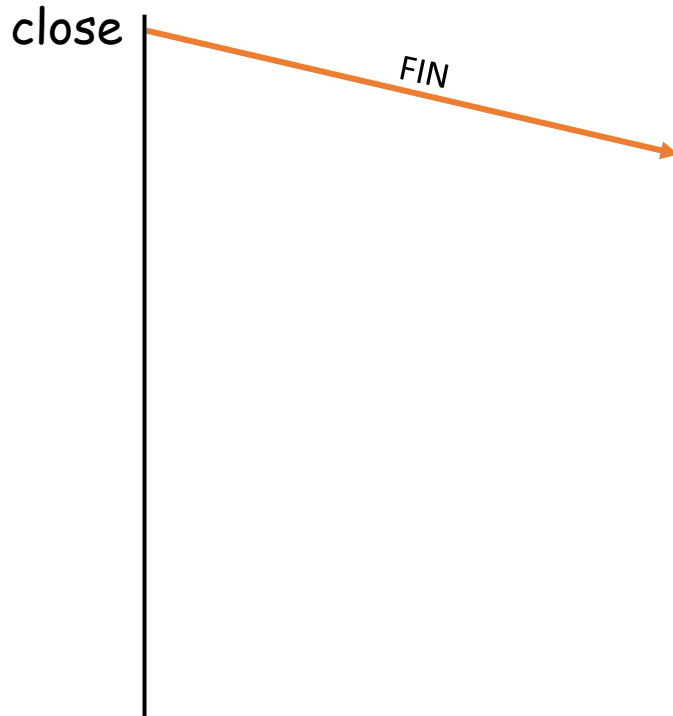
Connection Termination and State Transition (1)



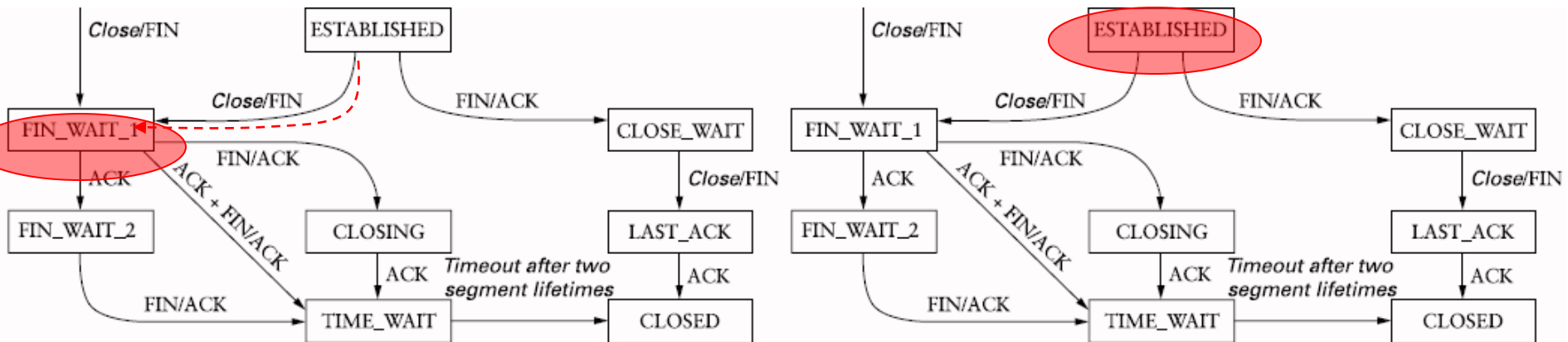
Client closes first



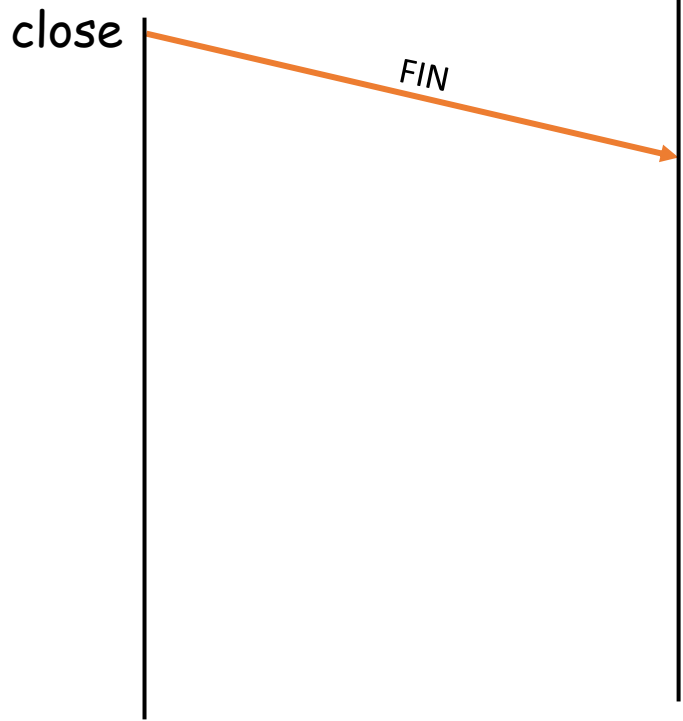
Connection Termination and State Transition (1)



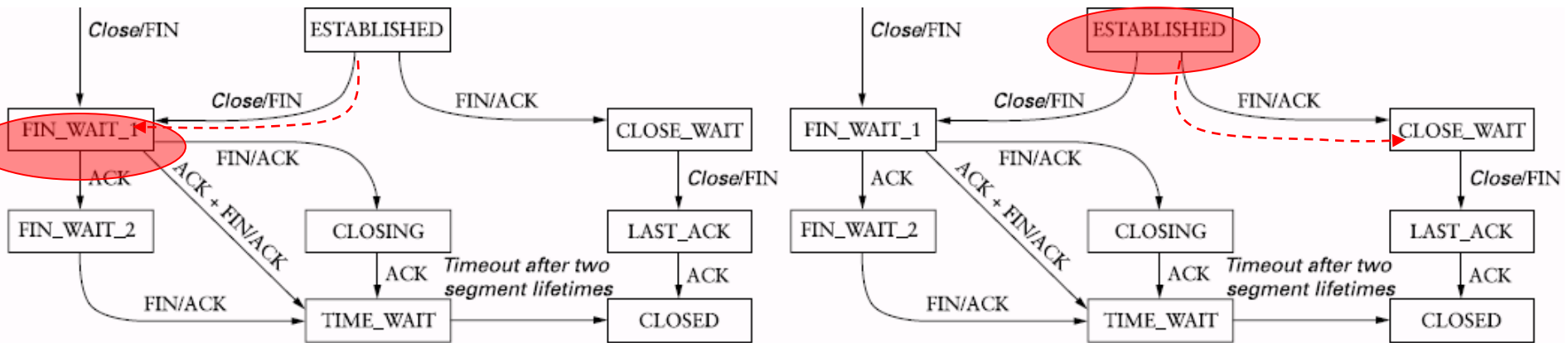
Client closes first



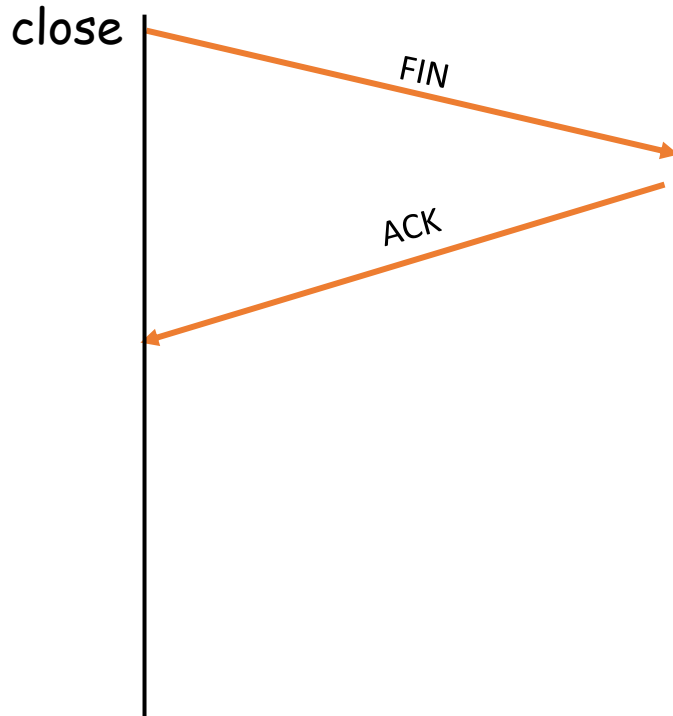
Connection Termination and State Transition (1)



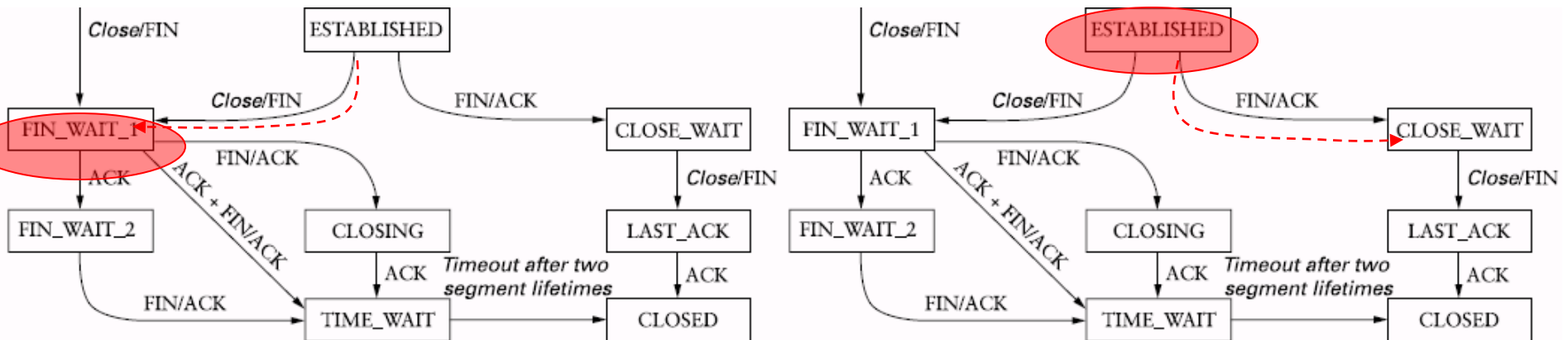
Client closes first



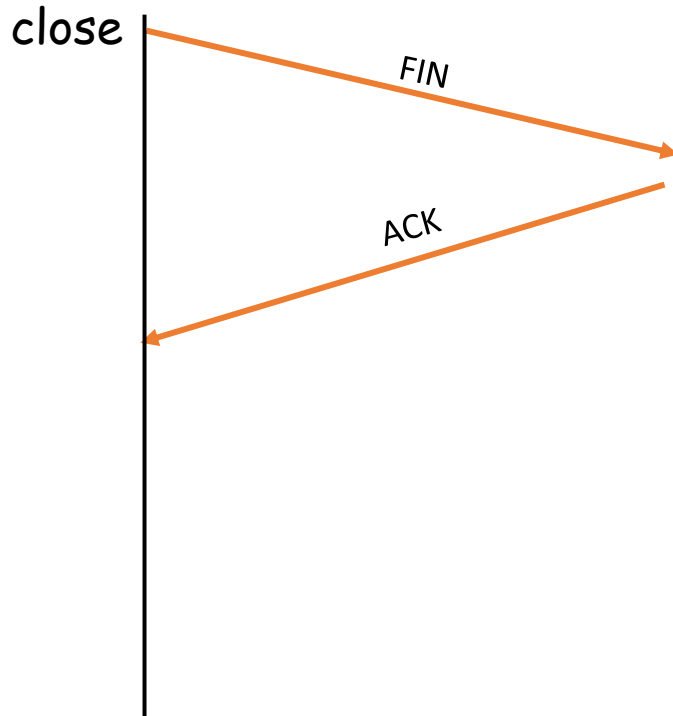
Connection Termination and State Transition (1)



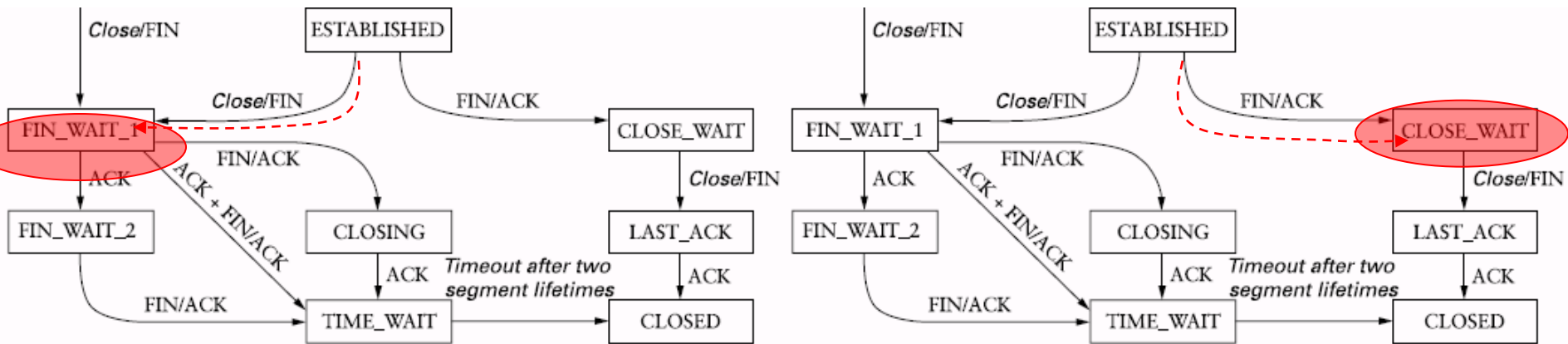
Client closes first



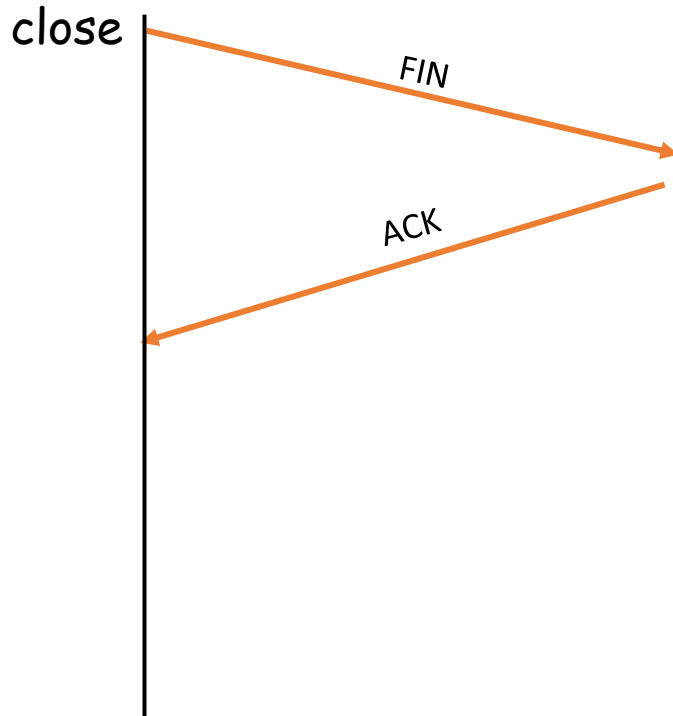
Connection Termination and State Transition (1)



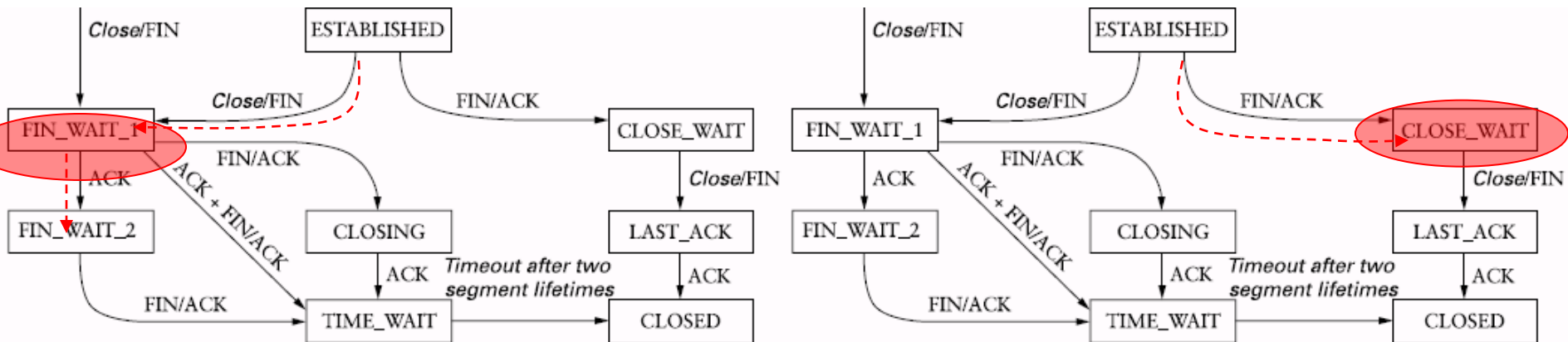
Client closes first



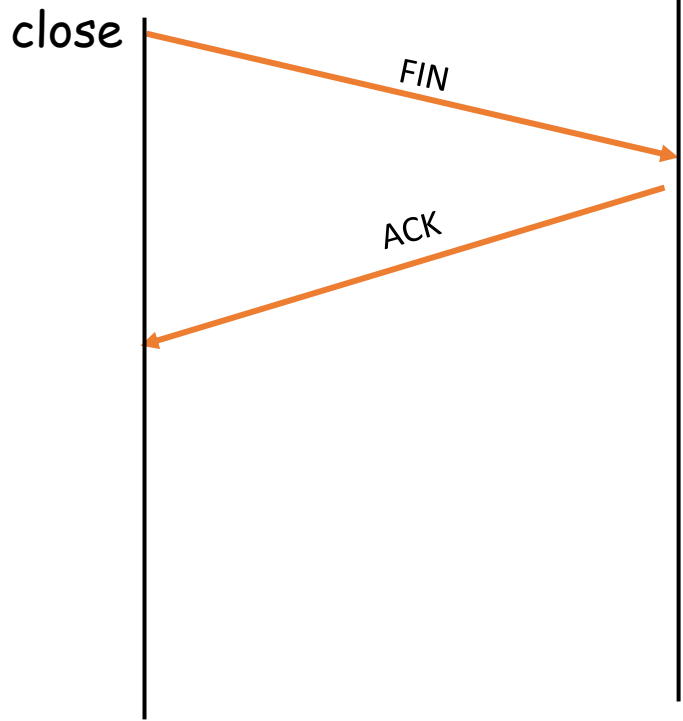
Connection Termination and State Transition (1)



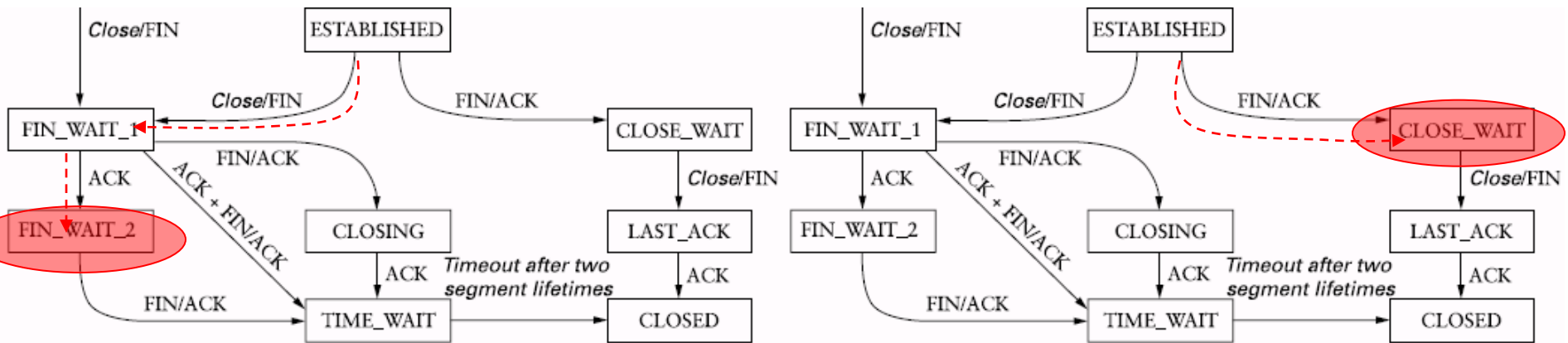
Client closes first



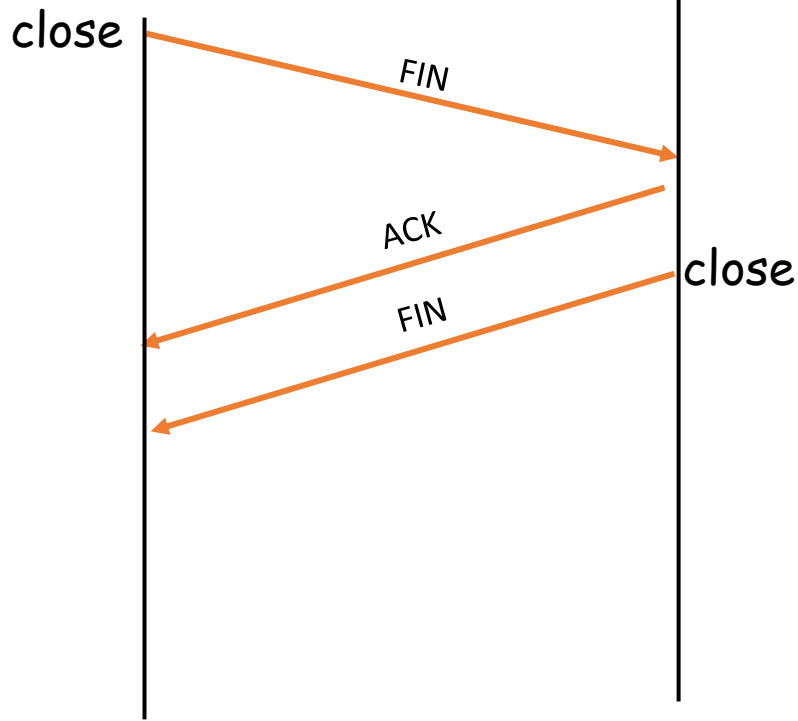
Connection Termination and State Transition (1)



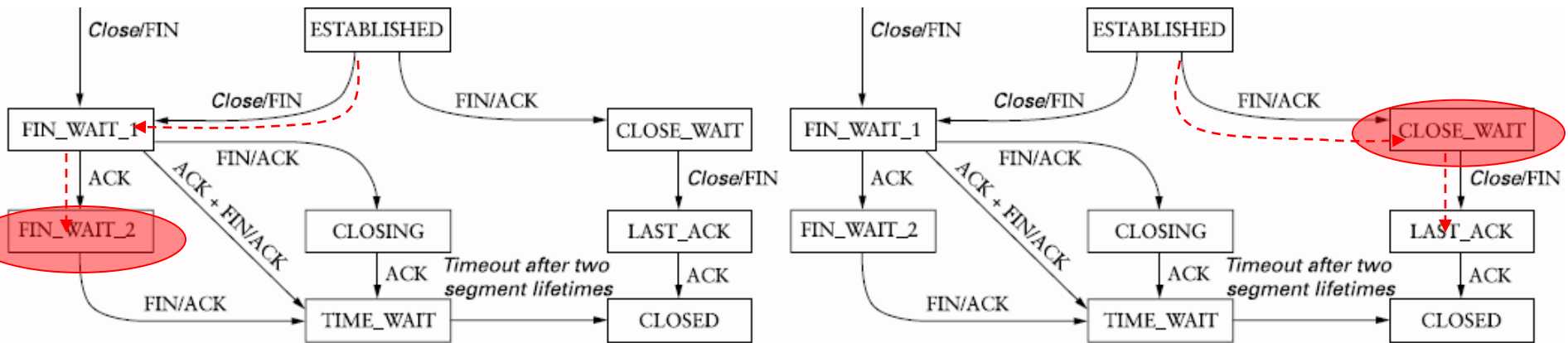
Client closes first



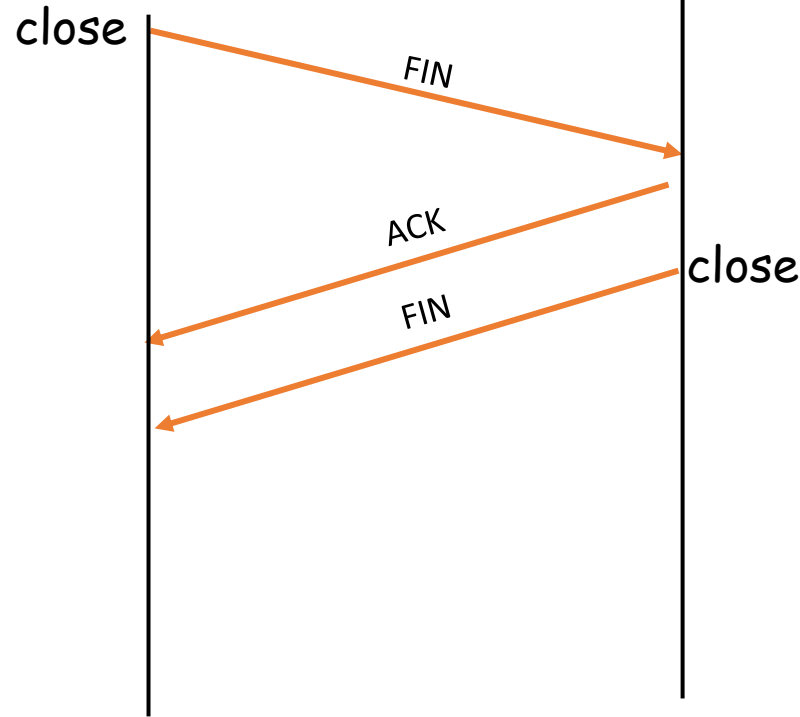
Connection Termination and State Transition (1)



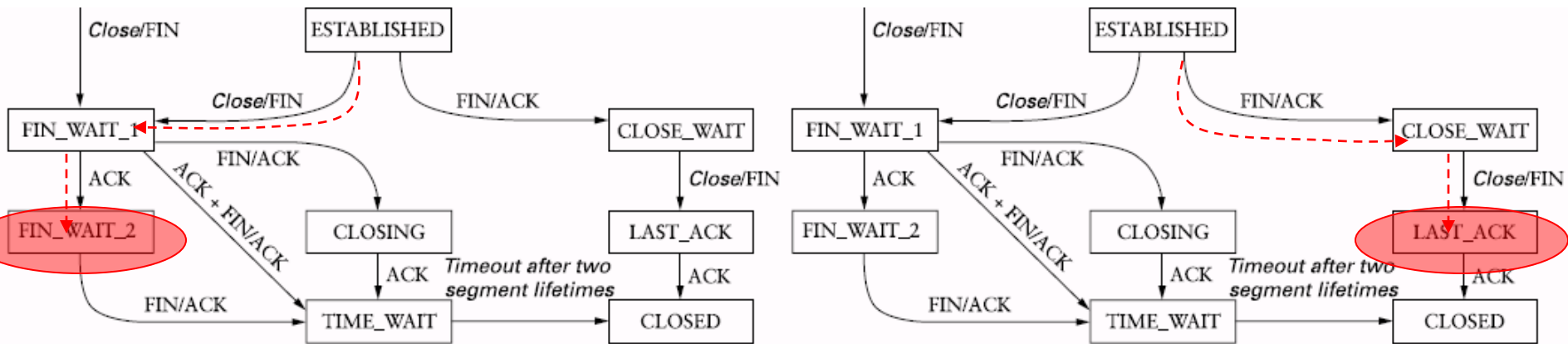
Client closes first



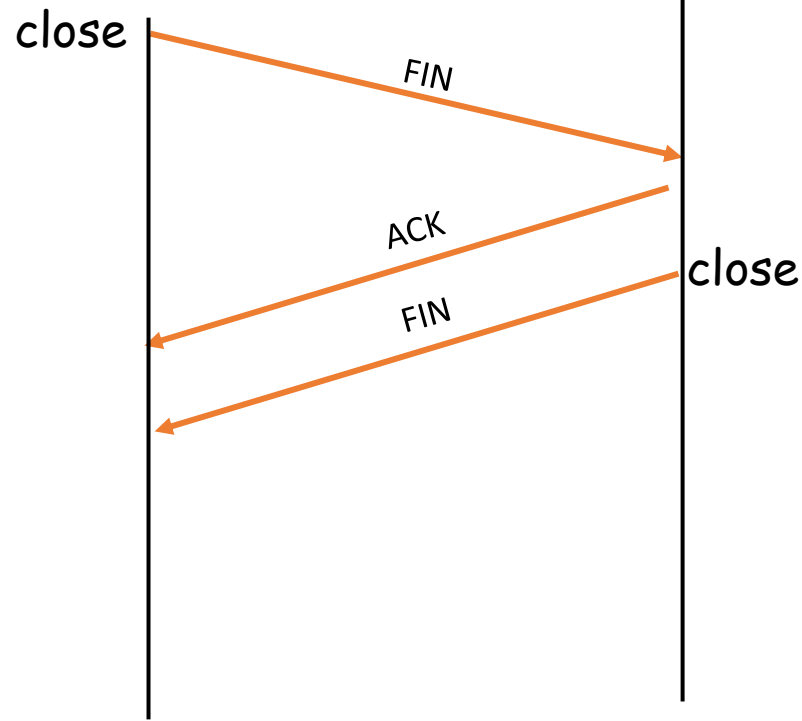
Connection Termination and State Transition (1)



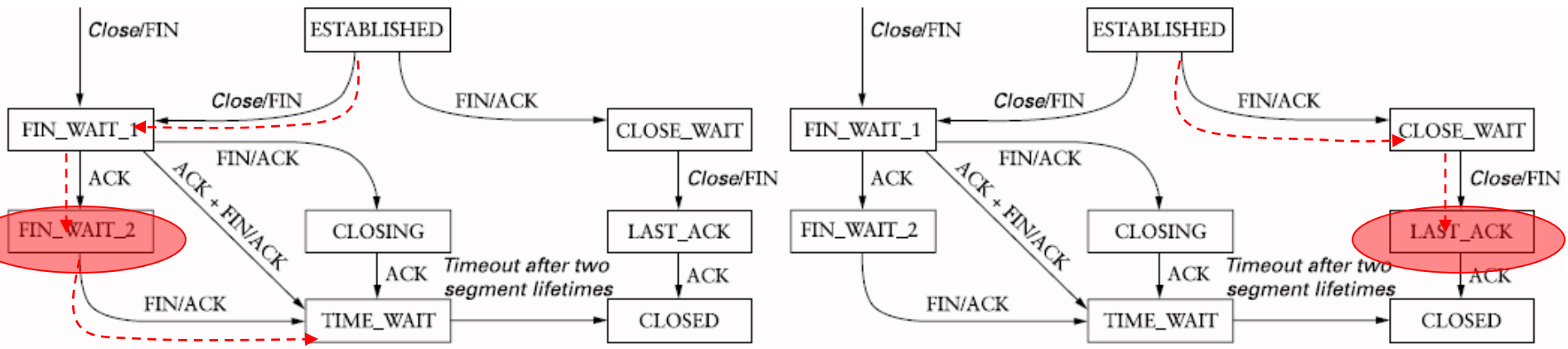
Client closes first



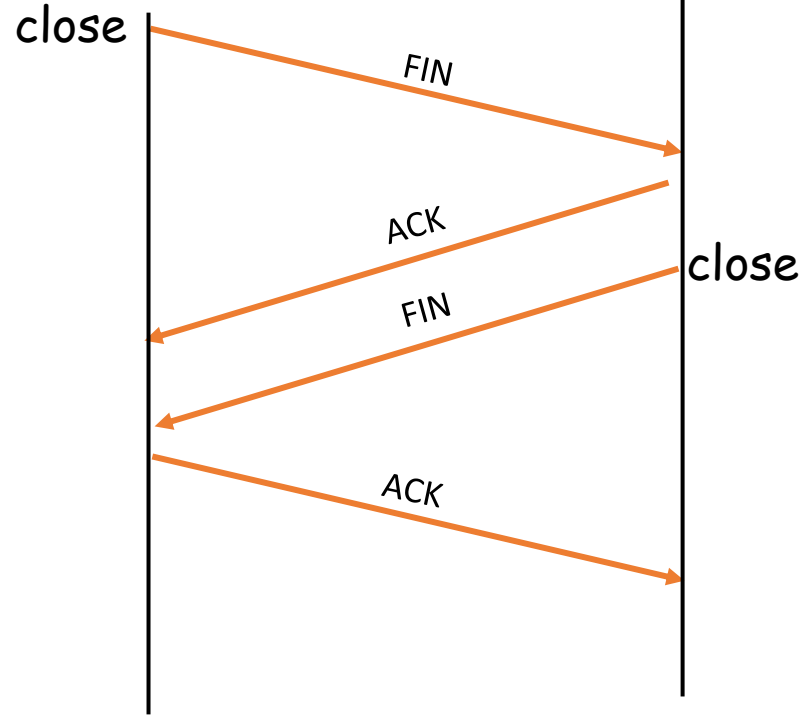
Connection Termination and State Transition (1)



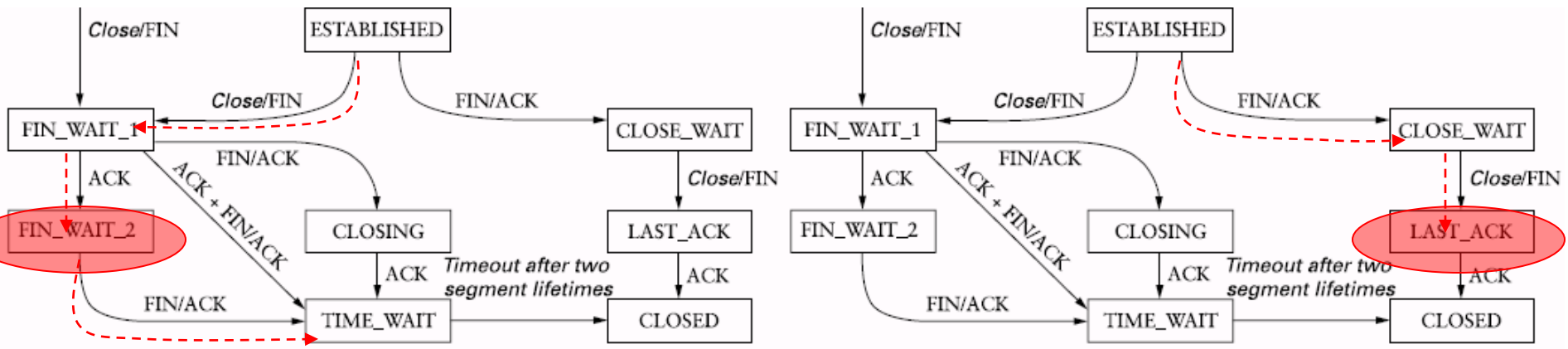
Client closes first



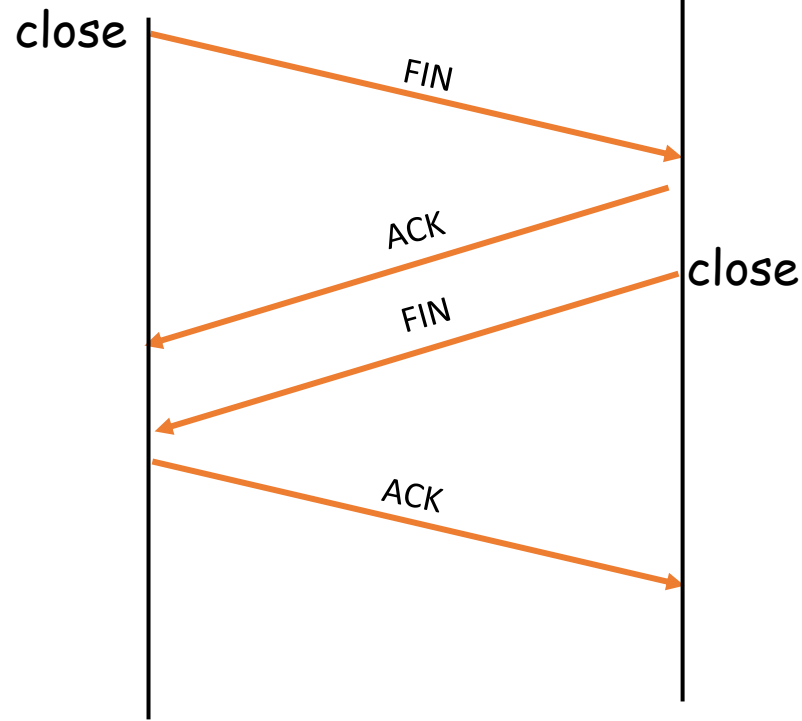
Connection Termination and State Transition (1)



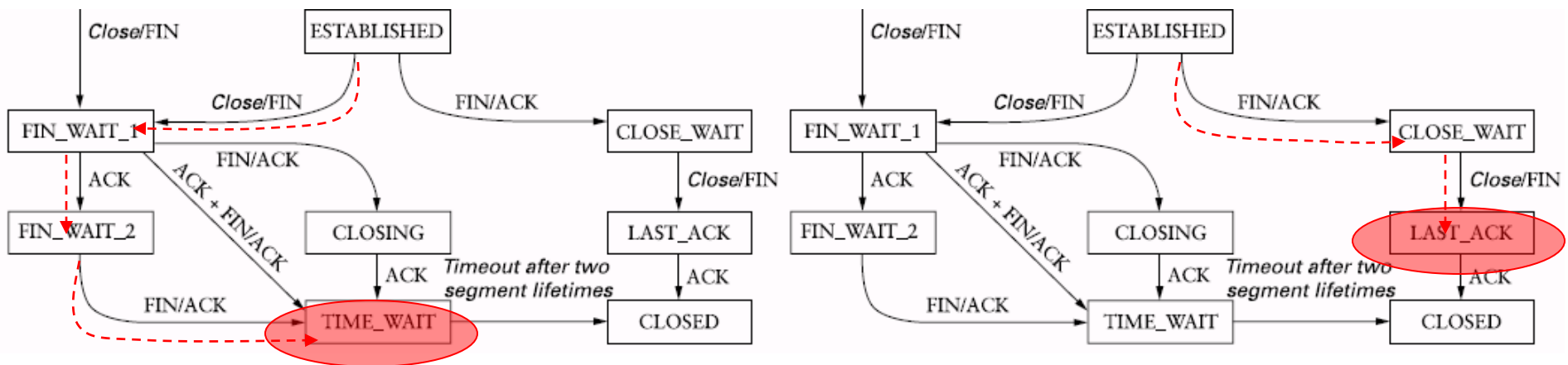
Client closes first



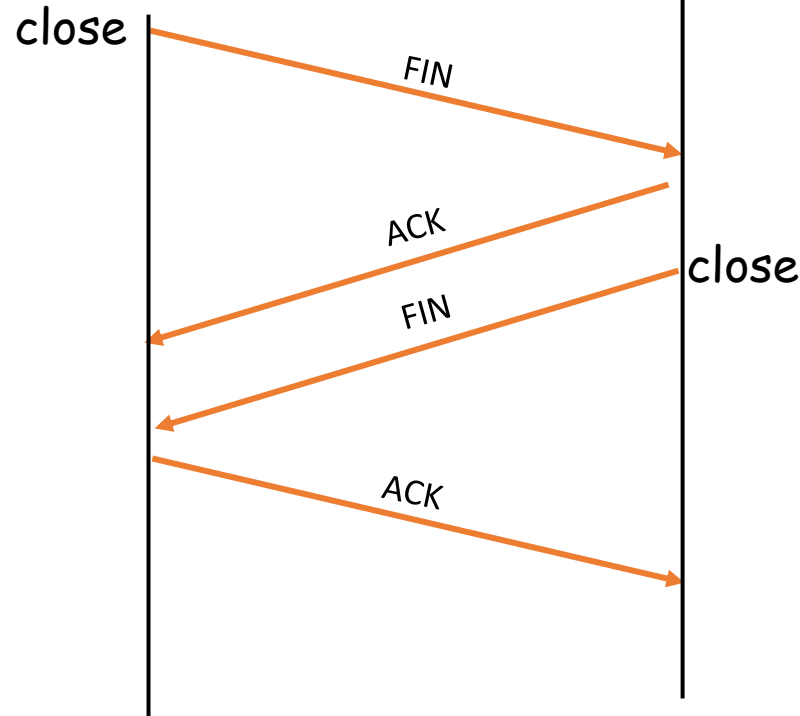
Connection Termination and State Transition (1)



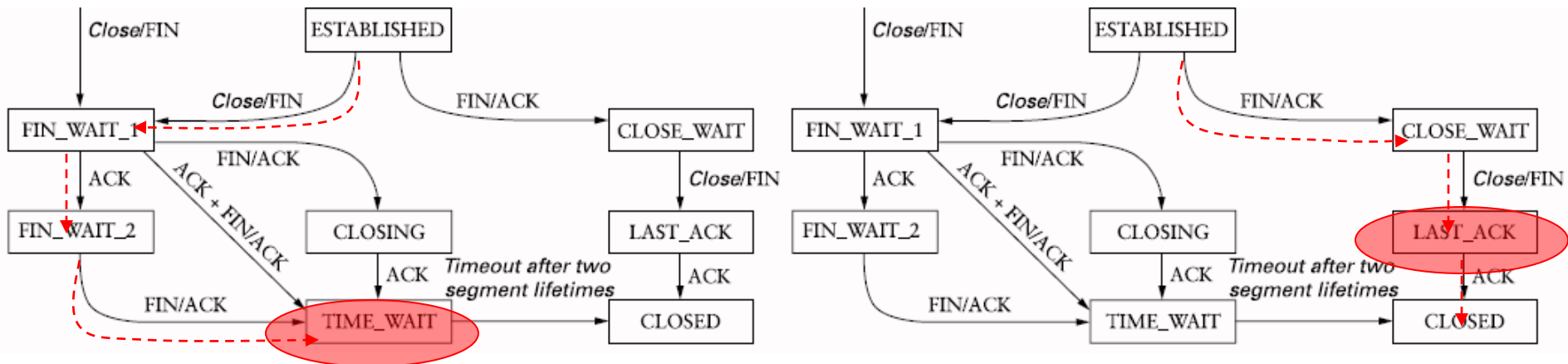
Client closes first



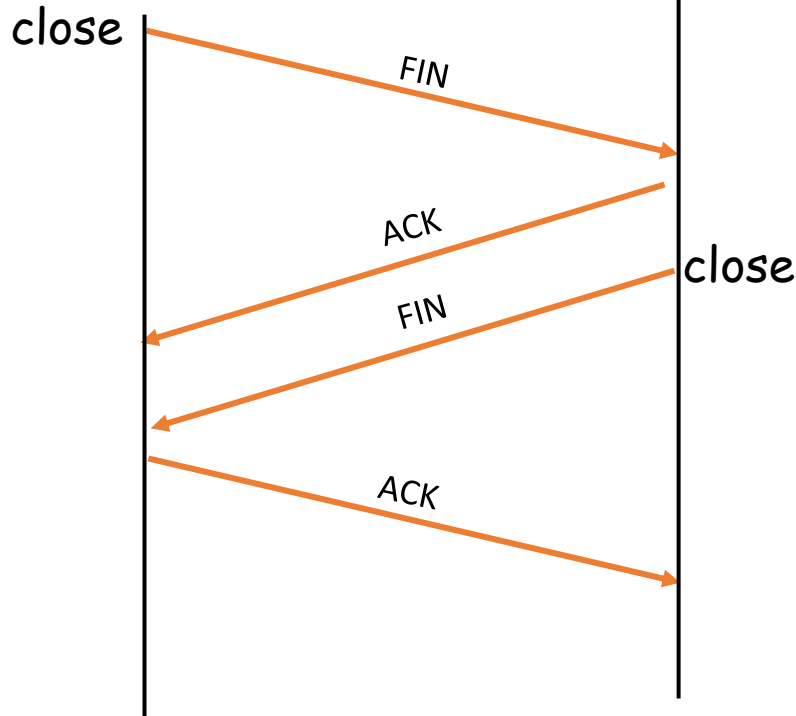
Connection Termination and State Transition (1)



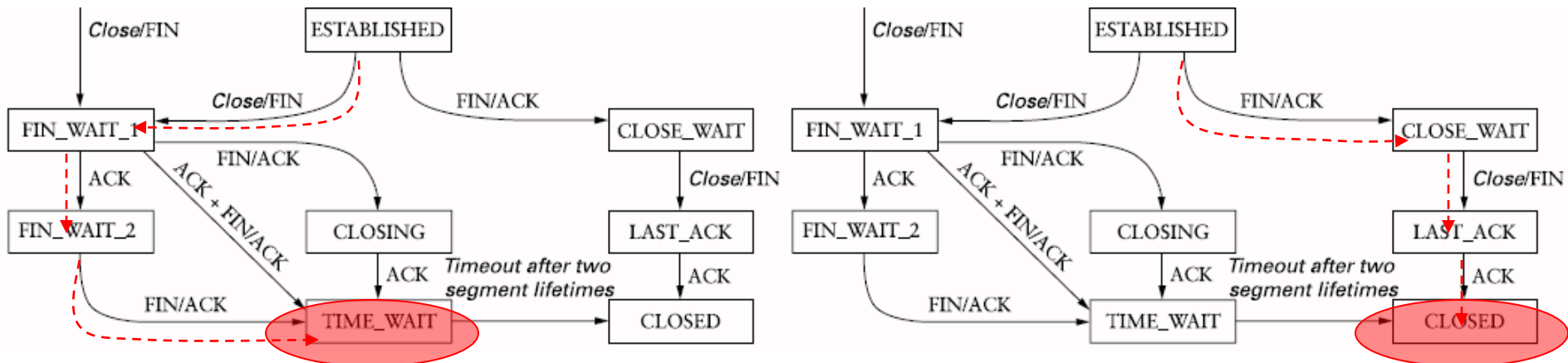
Client closes first



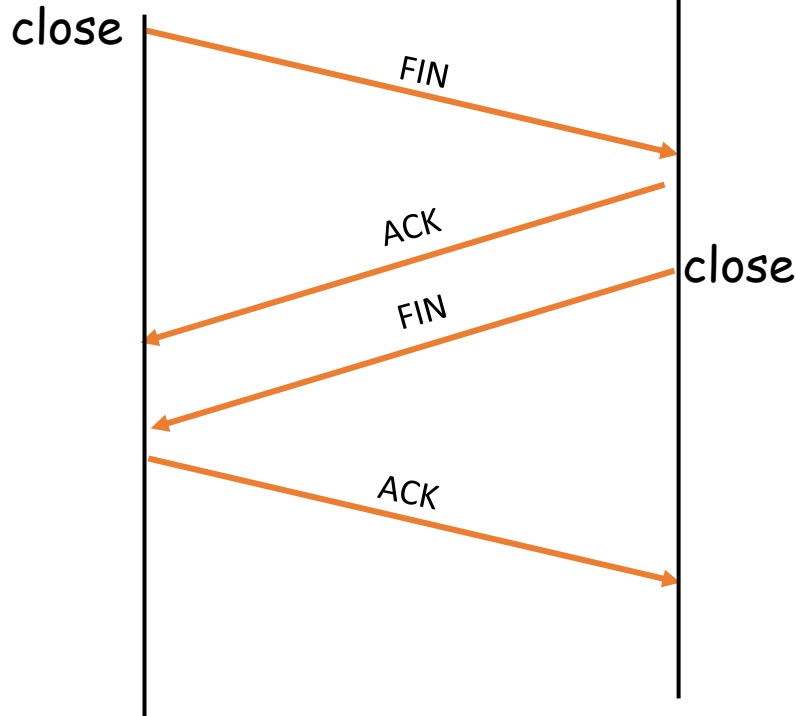
Connection Termination and State Transition (1)



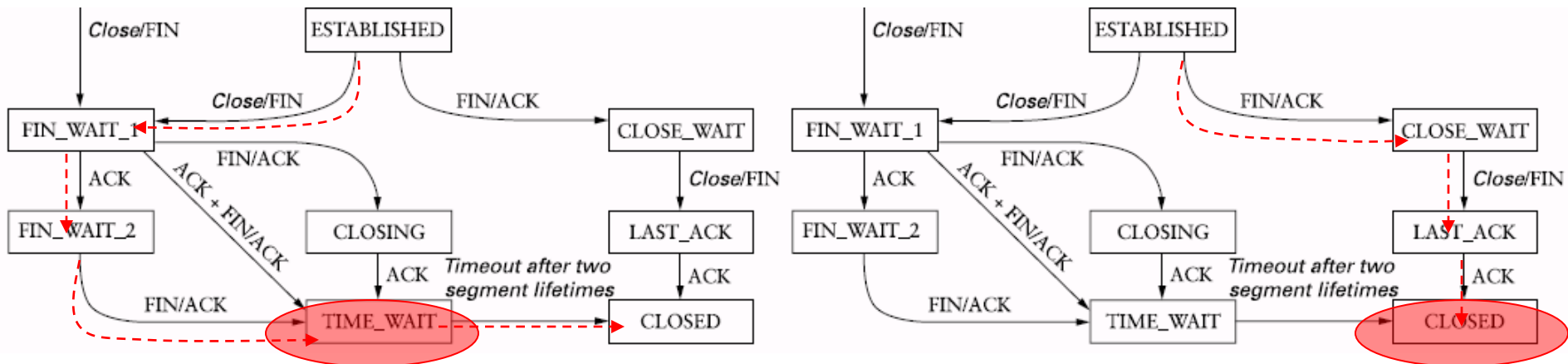
Client closes first



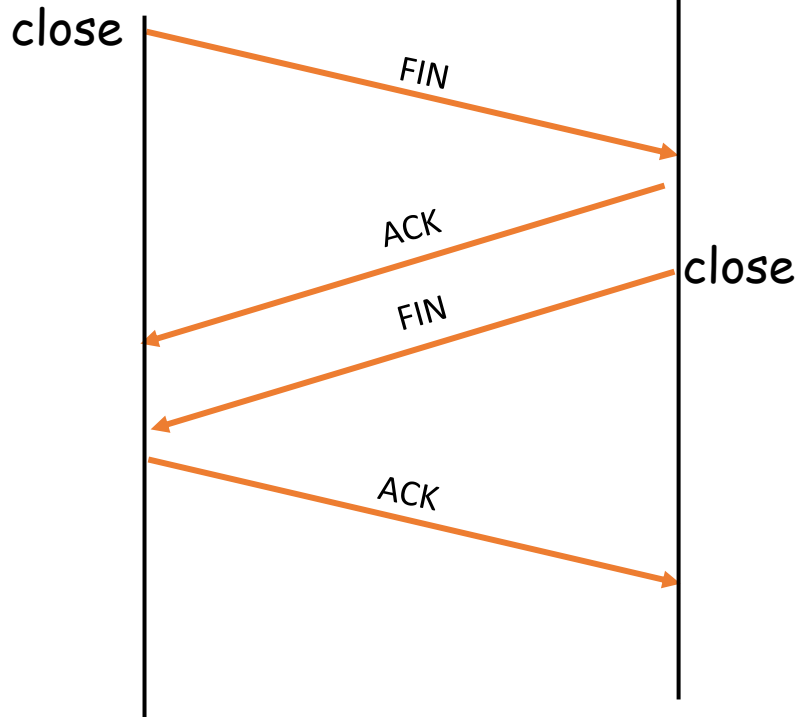
Connection Termination and State Transition (1)



Client closes first



Connection Termination and State Transition (1)



Client closes first

